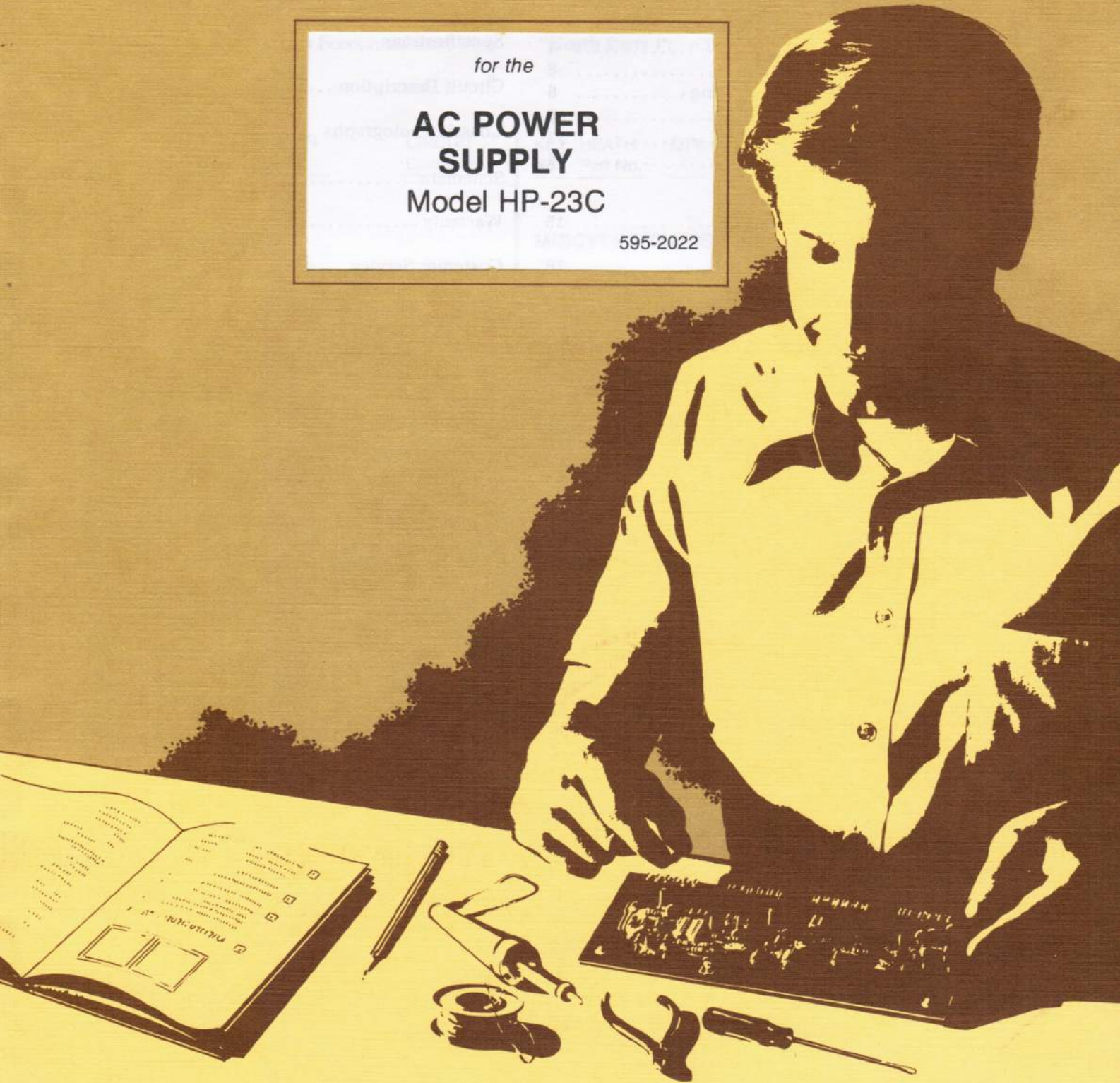


HEATHKIT[®] MANUAL

for the

**AC POWER
SUPPLY**
Model HP-23C

595-2022



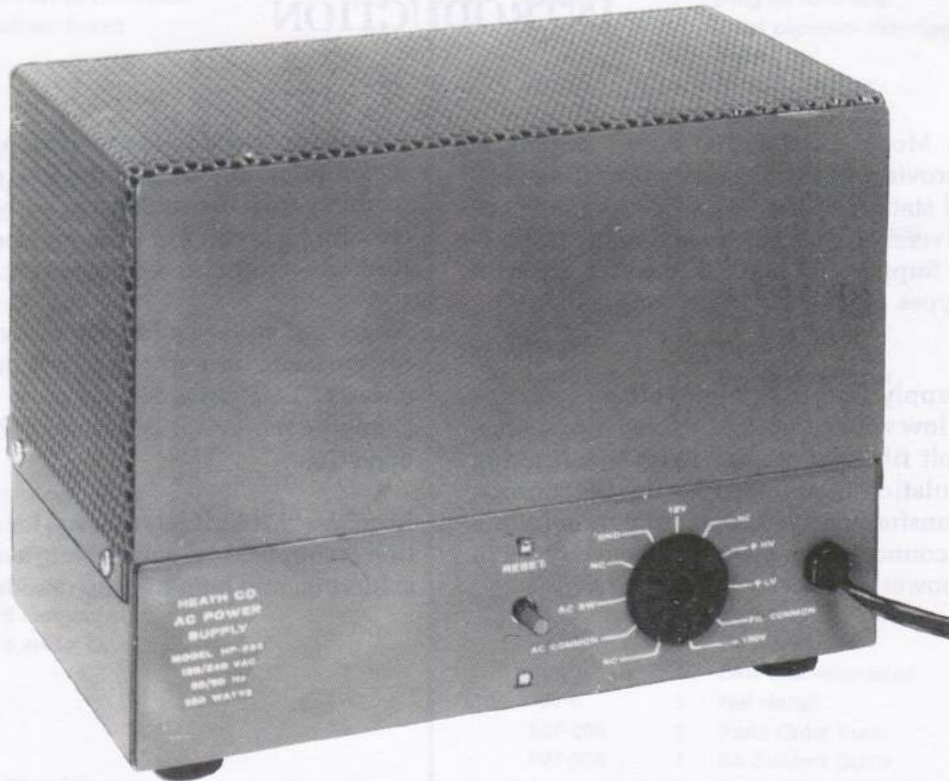
HEATH COMPANY • BENTON HARBOR, MICHIGAN

Heathkit® Manual

for the

AC POWER SUPPLY Model HP-23C

595-2022



HEATH COMPANY
BENTON HARBOR, MICHIGAN 49022

Copyright © 1977
Heath Company
All Rights Reserved
Printed in the United States of America

TABLE OF CONTENTS

Introduction	2	Operation	17
Parts List	3	In Case of Difficulty	18
		Troubleshooting Chart	19
Step-by-Step Assembly		Specifications	20
Chassis Parts Mounting	4	Circuit Description	21
Transformer Wiring	8	Chassis Photographs	22
Alternate Line Voltage Wiring	8	Schematic	Illustration Booklet, Page 4
Chassis Wiring	9	Warranty	Inside front cover
Final Wiring	12	Customer Service	Inside rear cover
Power Cable Preparation	14		
Initial Tests	15		
Final Assembly	16		

INTRODUCTION

The Heathkit Model HP-23C AC Power Supply is designed to provide all the necessary operating voltages for fixed station operation of Heathkit amateur radio transceivers. The versatility and many features of this Power Supply also make it ideal for use with many other types of amateur radio equipment.

The Power Supply features a high voltage source, a choice of two low voltage sources, a fixed bias source, and a 12.6 volt filament source. Extensive filtering and good regulation is provided for the DC sources. The power transformer has a dual primary winding which can be connected for operation from either 120 or 240 VAC power lines.

A series connection is provided at the power output socket to permit turning the Power Supply on or off remotely from the equipment with which it is used. A circuit breaker in the primary circuit provides overload and short circuit protection.

All output voltage connections from the Power Supply are made through the power output socket on the chassis. This provides an easy means of rapidly changing the equipment from mobile to fixed station operation.

Read the "Kit Builders Guide" for complete information on unpacking, parts identification, tools, wiring, soldering, and step-by-step assembly procedures.

PARTS LIST

Check each part against the following list. The key numbers correspond to the numbers on the Parts Pictorial (Illustration Booklet, Page 1).

To order a replacement part, always include the Part Number and use the Parts Order Form furnished with

this kit. If a Parts Order Form is not available, use one of the "Expedited Parts Order Forms" at the rear of this Manual, or refer to "Replacement Parts" inside the rear cover. Your Warranty is inside the front cover. For pricing information, refer to the separate "Heath Parts Price List."

KEY No.	HEATH Part No.	QTY.	DESCRIPTION	CIRCUIT Comp. No.
---------	----------------	------	-------------	-------------------

RESISTORS

A1	1-46-1	1	27 k Ω (red-violet-orange), 1-watt	
A2	1-15-2	1	1000 Ω (brown-black-red), 2-watt	
A2	1-24-2	5	100 k Ω (brown-black-yellow), 2-watt	

CAPACITORS

B1	25-20	2	40 μ F, 150 volt electrolytic	
B2	25-36	1	40 μ F, 450 volt electrolytic	
B3	25-265	4	125 μ F, 500 volt electrolytic	

HARDWARE

#6 Hardware

C1	250-8	8	#6 \times 3/8" sheet metal screw	
C2	250-89	9	6-32 \times 3/8" screw	
C3	252-3	9	6-32 nut	
C4	254-1	10	#6 lockwasher	
C5	259-1	1	#6 solder lug	

#8 Hardware

C6	250-137	6	8-32 \times 3/8" screw	
C7	252-4	10	8-32 nut	
C8	254-2	10	#8 lockwasher	
C9	259-2	2	#8 solder lug	

KEY No.	HEATH Part No.	QTY.	DESCRIPTION	CIRCUIT Comp. No.
---------	----------------	------	-------------	-------------------

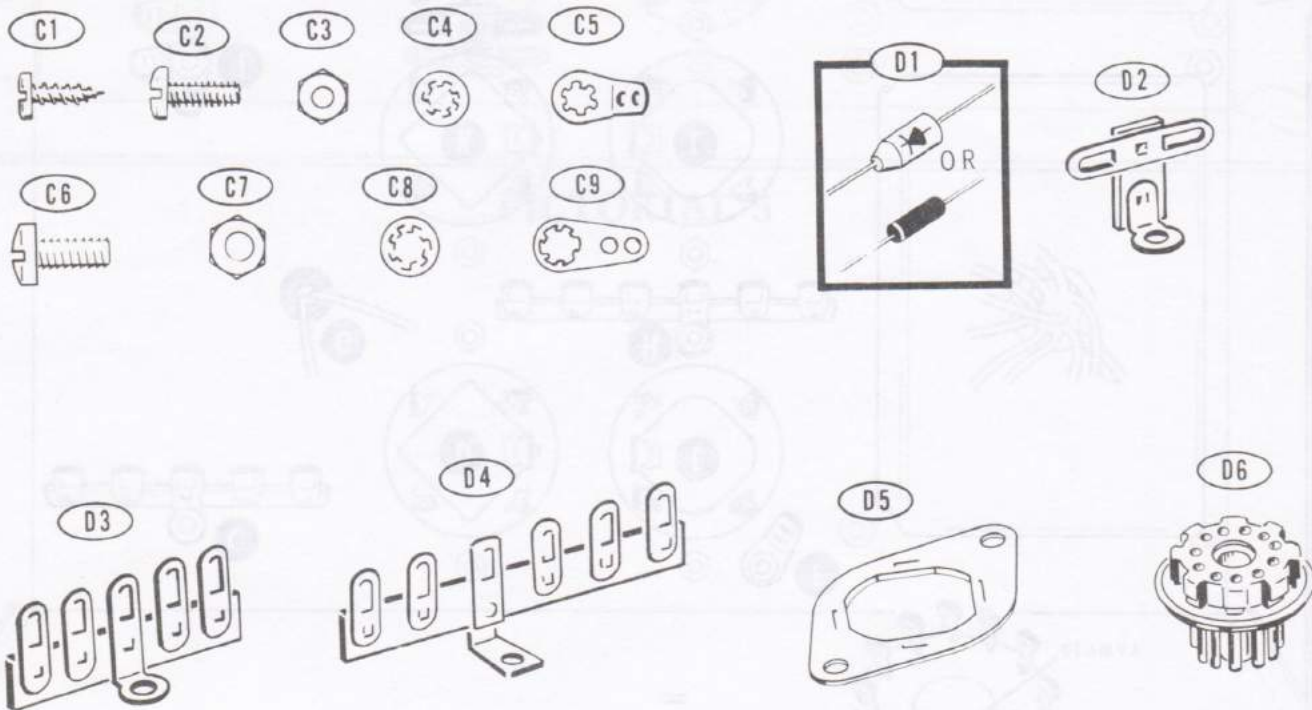
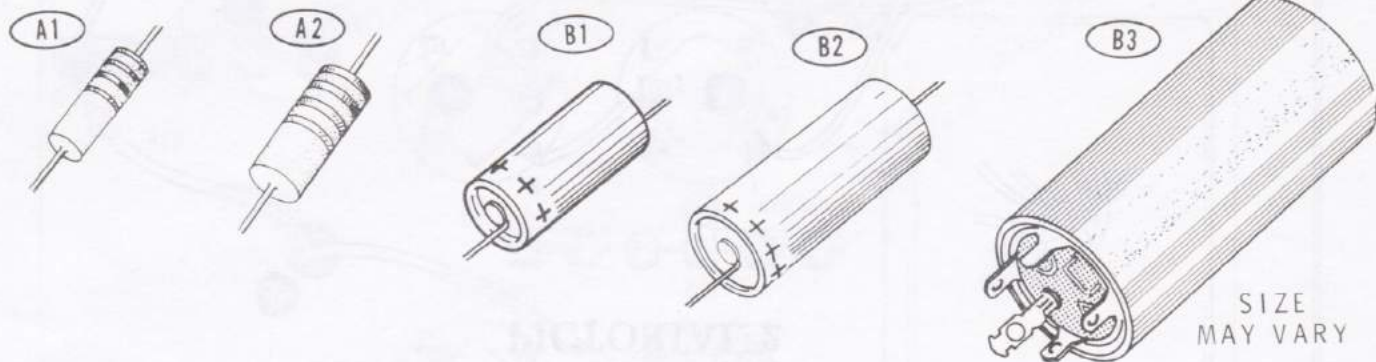
MISCELLANEOUS

D1	57-27	7	Silicon diode, 600 V 1A (1N2071)	
D2	431-1	1	2-lug terminal strip	
D3	431-11	1	5-lug terminal strip	
D4	431-86	1	6-lug terminal strip	
D5	481-1	2	Metal capacitor mounting wafer	
D5	481-3	2	Phenolic capacitor mounting wafer	
D6	438-29	1	11-pin plug	
D7	440-1	1	Plug cap	
D8	434-118	1	11-lug socket	
D9	435-1	1	Socket mounting ring	
D10	65-17	1	Circuit breaker (2.92 ampere)	
D11	73-4	1	5/16" grommet	
D12	75-71	1	Strain relief	
	54-807	1	Power transformer	
D13	46-56	1	Filter choke	
D14	200-1311-1	1	Chassis	
D15	205-1662-1	1	Bottom plate	
D16	100-538-2	1	Cabinet shell	
D17	261-6	4	Rubber foot	
	347-52	6'	8-wire cable	
	346-7	9"	Large sleeving	
	89-23	1	Line cord	
	390-926	1	Caution label	
	391-34	1	Blue and white label	
D18	490-5	1	Nut starter	
	597-260	1	Parts Order Form	
	597-306	1	Kit Builders Guide	
		1	Manual (See Page 1 for part number.)	

Solder

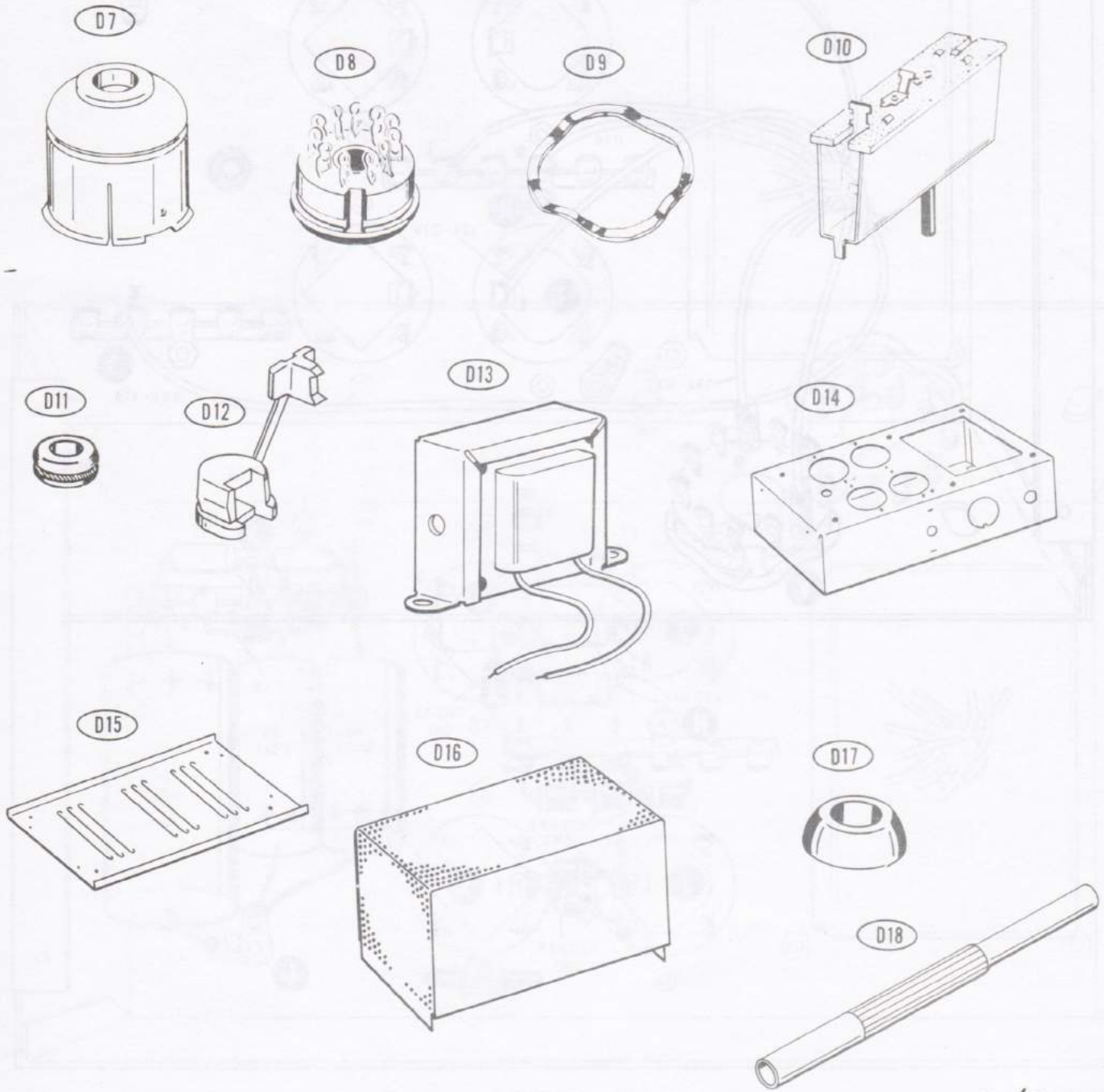
ILLUSTRATION

PARTS LIST



PICTORIAL 4

CTORIAL

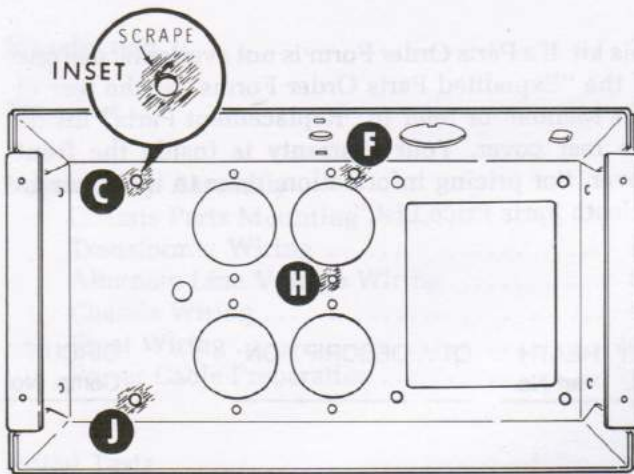


PICTORIAL 6

MODEL HP-23C

Copyright © 1977
Heath Company
All Rights Reserved
Printed in the United States of America

STEP-BY-STEP ASSEMBLY



PICTORIAL 1

Before you begin to assemble this kit, be sure you have read the wiring, soldering, and step-by-step assembly information in the "Kit Builders Guide."

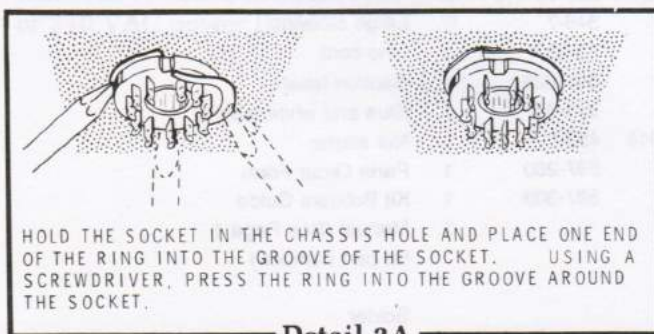
CHASSIS PARTS MOUNTING

Refer to Pictorial 1 for the following steps.

- () Locate the chassis and position it as shown.
- () Refer to the inset drawing and scrape the paint from around holes C, F, H, and J.

Refer to Pictorial 2 (Illustration Booklet, Page 2) for the following steps.

- () Refer to Detail 2A and mount the 11-lug socket at A; use the socket mounting ring. Position the keyway in the socket as shown in the Pictorial.

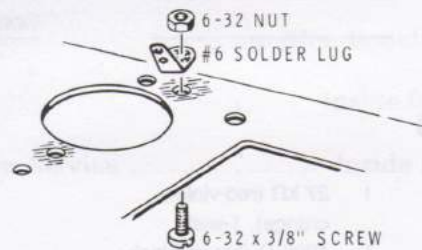


Detail 2A

- () Install a 5/16" grommet in hole G.

NOTE: Use the plastic nut starter supplied with this kit to hold and start 6-32 nuts on screws. For more information, refer to the "Kit Builders Guide."

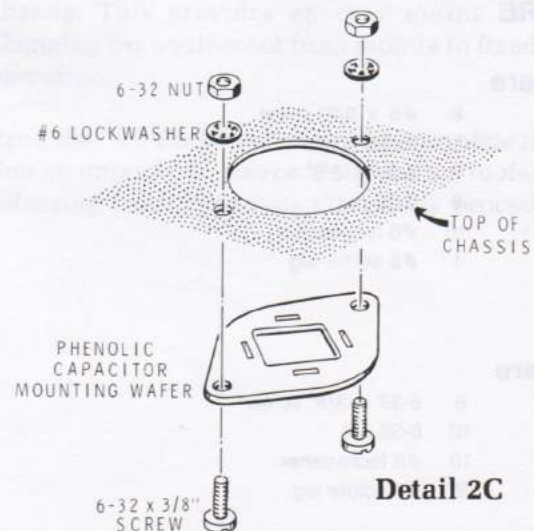
- () Refer to Detail 2B and mount a #6 solder lug at F; use a 6-32 x 3/8" screw and a 6-32 nut. Position the solder lug as shown in the Pictorial.



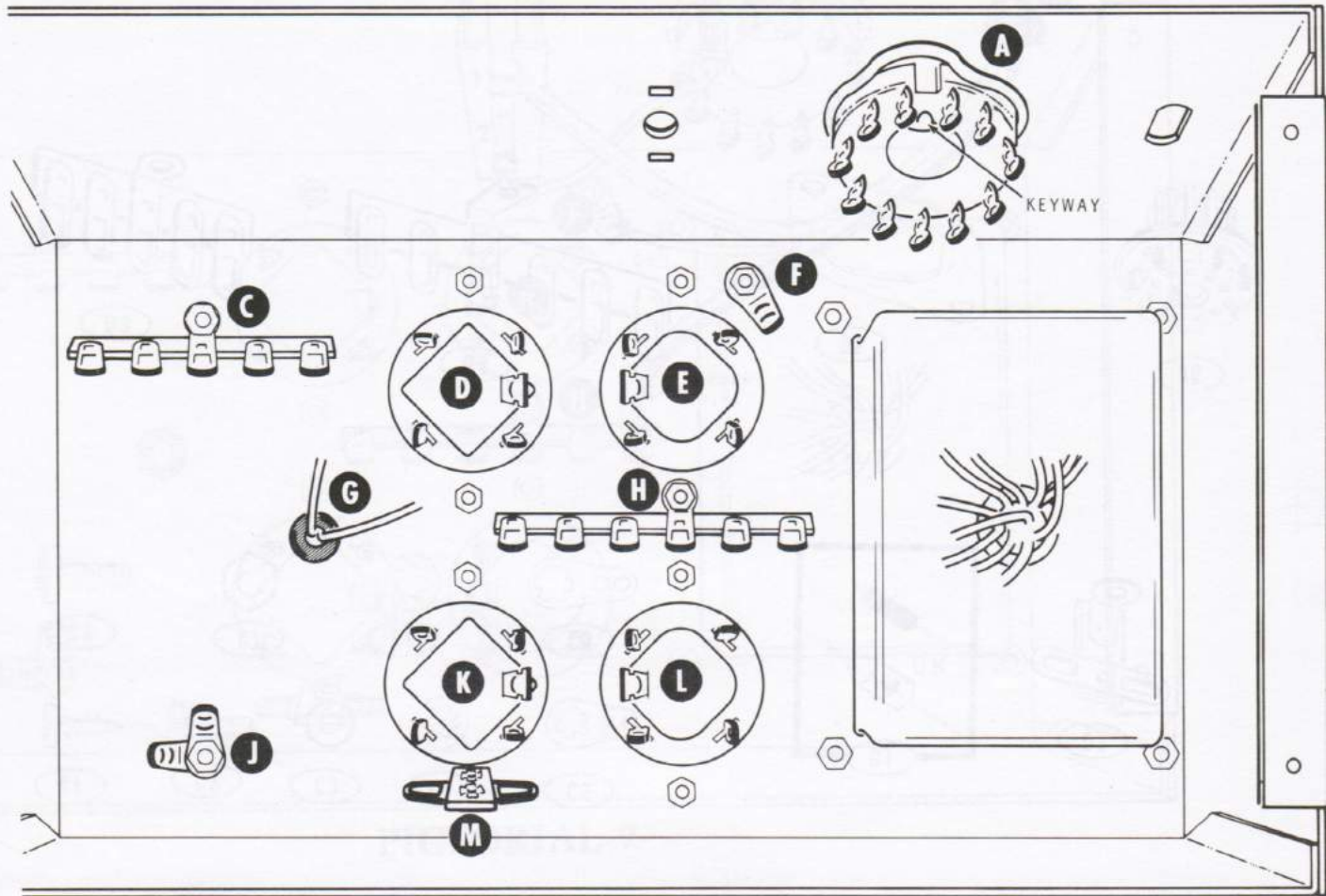
Detail 2B

When hardware is called in a step, only the screw size will be given. For instance, if "6-32 x 3/8" hardware" is called for, it means that a 6-32 x 3/8" screw, one or more #6 lockwashers, and a 6-32 nut should be used for each mounting hole. The Detail referred to in the step will show the proper number of lockwashers to use.

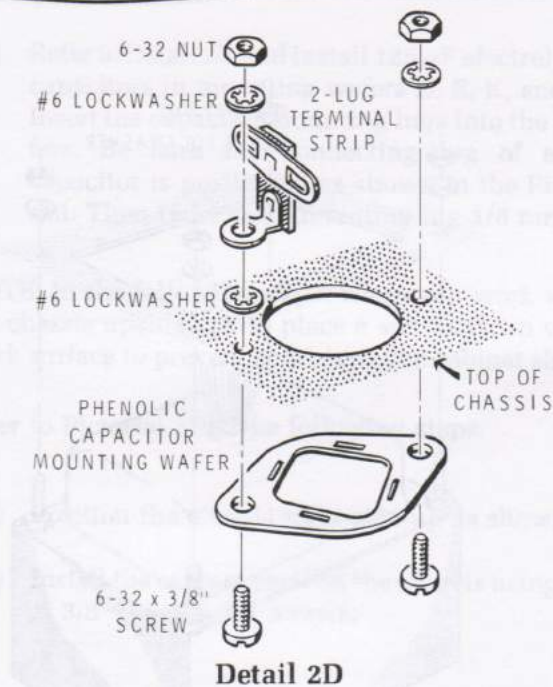
- () Refer to Detail 2C and install a phenolic capacitor mounting wafer on the top of the chassis at D. Use 6-32 x 3/8" hardware.



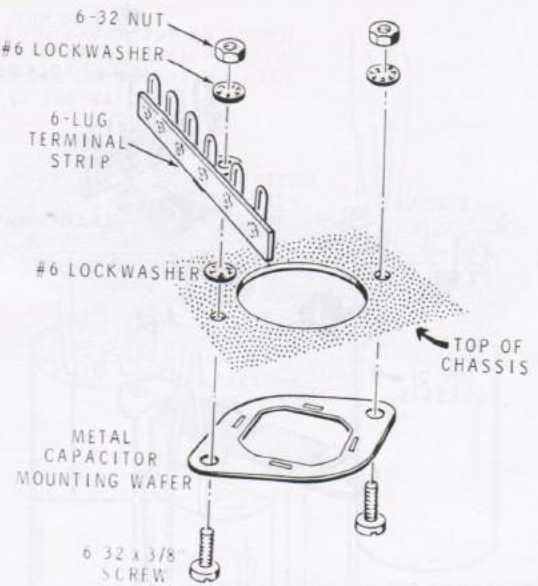
Detail 2C



PICTORIAL 2



Detail 2D



Detail 2E

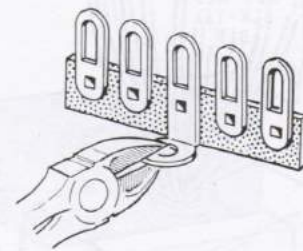
() Refer to Detail 2D and install a **phenolic** capacitor mounting wafer at K and a 2-lug terminal strip at hole M. Install the mounting wafer on top of the chassis and the terminal strip on the bottom of the chassis. Use 6-32 × 3/8" hardware. Be sure to use two lockwashers with the terminal strip. Position the terminal strip as shown in the Pictorial.

() Mount a **metal** capacitor mounting wafer on the top of the chassis at L. Use 6-32 × 3/8" hardware.

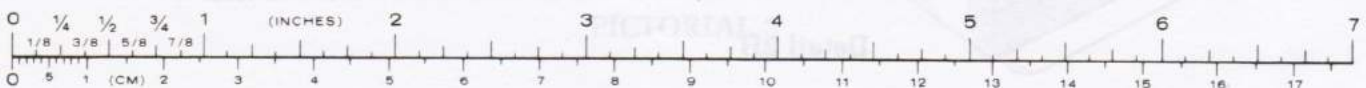
() Refer to Detail 2E and install a **metal** capacitor mounting wafer at E and a 6-lug terminal strip at hole H. Install the mounting wafer on the top of the chassis and the terminal strip on the bottom of the chassis. Use 6-32 × 3/8" hardware. Be sure to use two lockwashers with the terminal strip. Position the terminal strip as shown in the Pictorial.

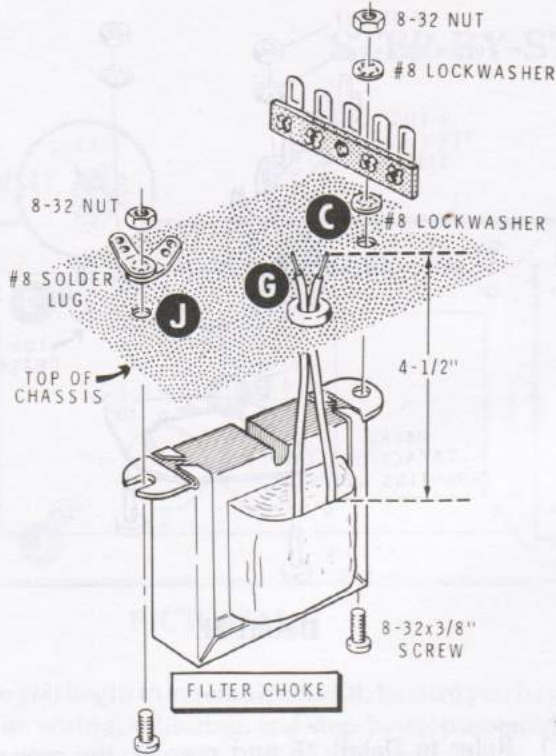
() Refer to Detail 2F and prepare the mounting foot of a 5-lug terminal strip. Cut the front of the foot with diagonal cutters; then spread the cut until an 8-32 screw will fit through the hole. This terminal strip will be mounted with the filter choke in the following steps.

() Cut both leads of the filter choke to a length of 4-1/2". Measure the leads from where they come out of the choke. Then remove 1/4" of insulation from the end of each lead.

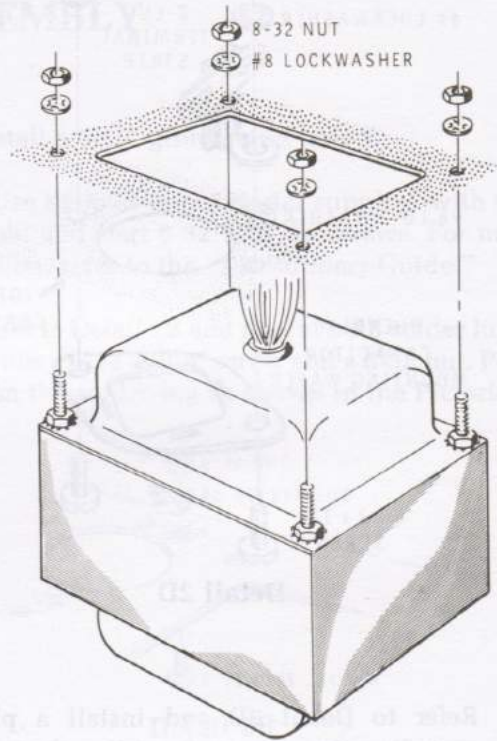


Detail 2F

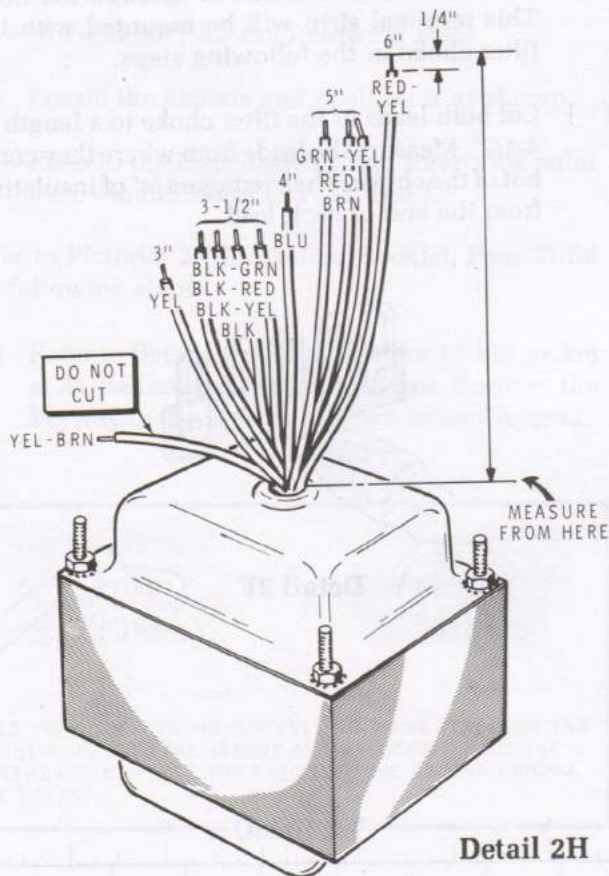




Detail 2G



Detail 2J



Detail 2H

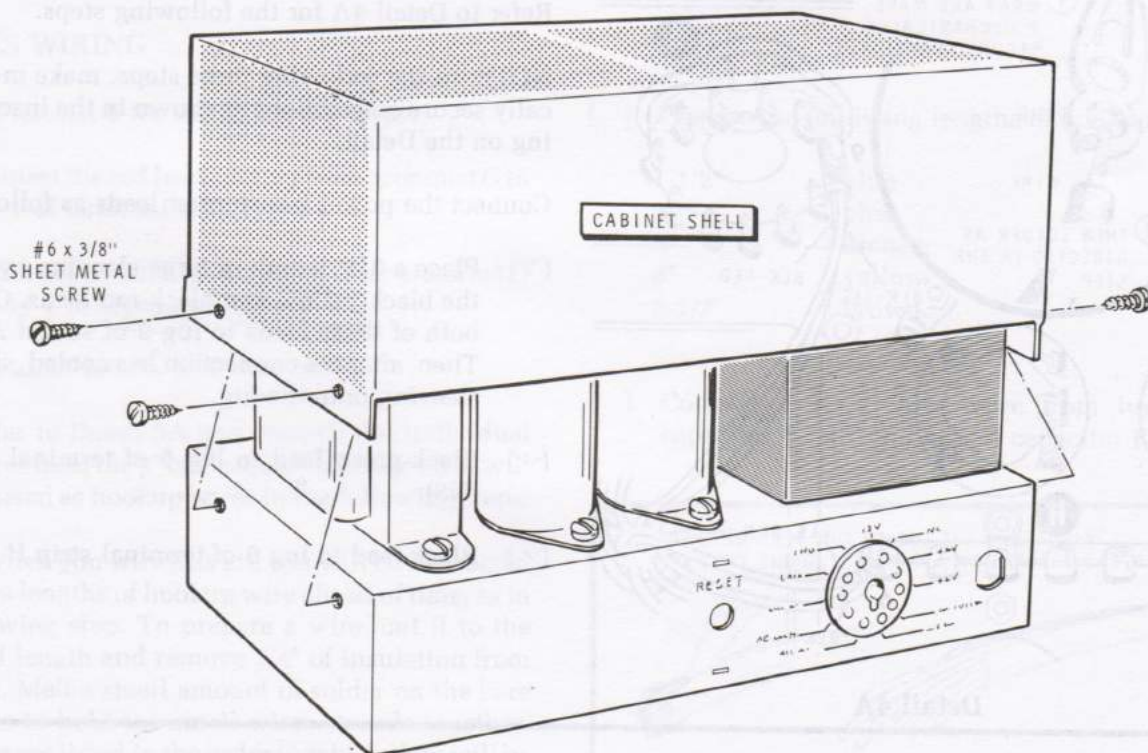
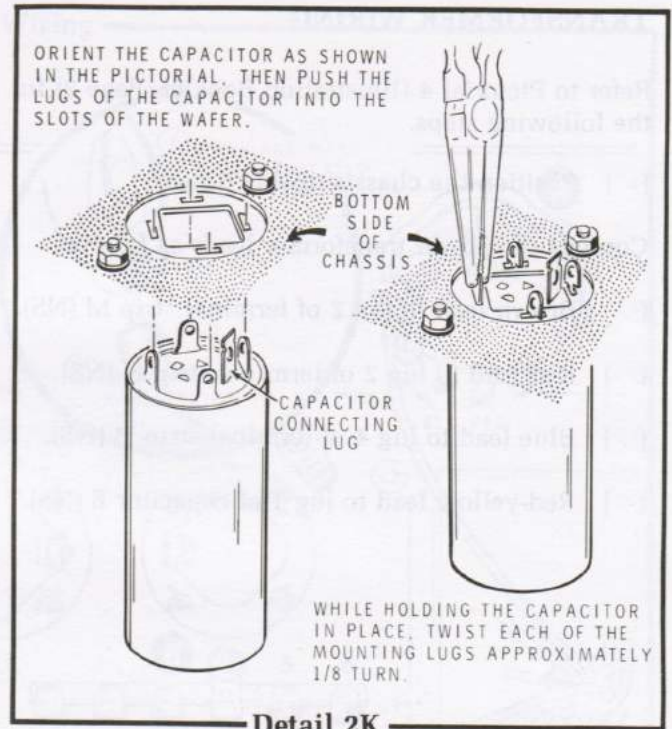
- (X) Refer to Detail 2G and position the filter choke on top of the chassis. Route the leads through grommet G. Mount the choke using 8-32 hardware and the prepared 5-lug terminal strip at C, and 8-32 hardware and two #8 solder lugs at J. Be sure to use two lockwashers with the terminal strip. Position the terminal strip and solder lugs as shown in the Pictorial. Bend the end of each solder lug up away from the chassis.
- () Refer to Detail 2H and cut the power transformer leads to the indicated lengths. Measure the leads from where they come out of the transformer. Then remove 1/4" of insulation from the end of each lead. Twist together the small strands of wire at the end of each lead and melt a small amount of solder on each of the exposed end. Save the cut-off yellow transformer lead for use later.
- () Refer to Detail 2J and mount the power transformer in the large cutout in the chassis. Use 8-32 nuts and #8 lockwashers.

- () Refer to Detail 2K and install 125 μ F electrolytic capacitors in mounting wafers D, E, K, and L. Insert the capacitor mounting lugs into the wafers. Be sure the connecting lug of each capacitor is positioned as shown in the Pictorial. Then twist each mounting lug 1/8 turn.

NOTE: In the following steps, when you work with the chassis upside down, place a soft cloth on your work surface to prevent scratching the cabinet shell.

Refer to Pictorial 3 for the following steps.

- () Position the chassis right-side-up as shown.
- () Install the cabinet shell on the chassis using #6 \times 3/8" sheet metal screws.



PICTORIAL 3

TRANSFORMER WIRING

Refer to Pictorial 4 (Illustration Booklet, Page 2) for the following steps.

- () Position the chassis upside down.

Connect the power transformer leads as follows:

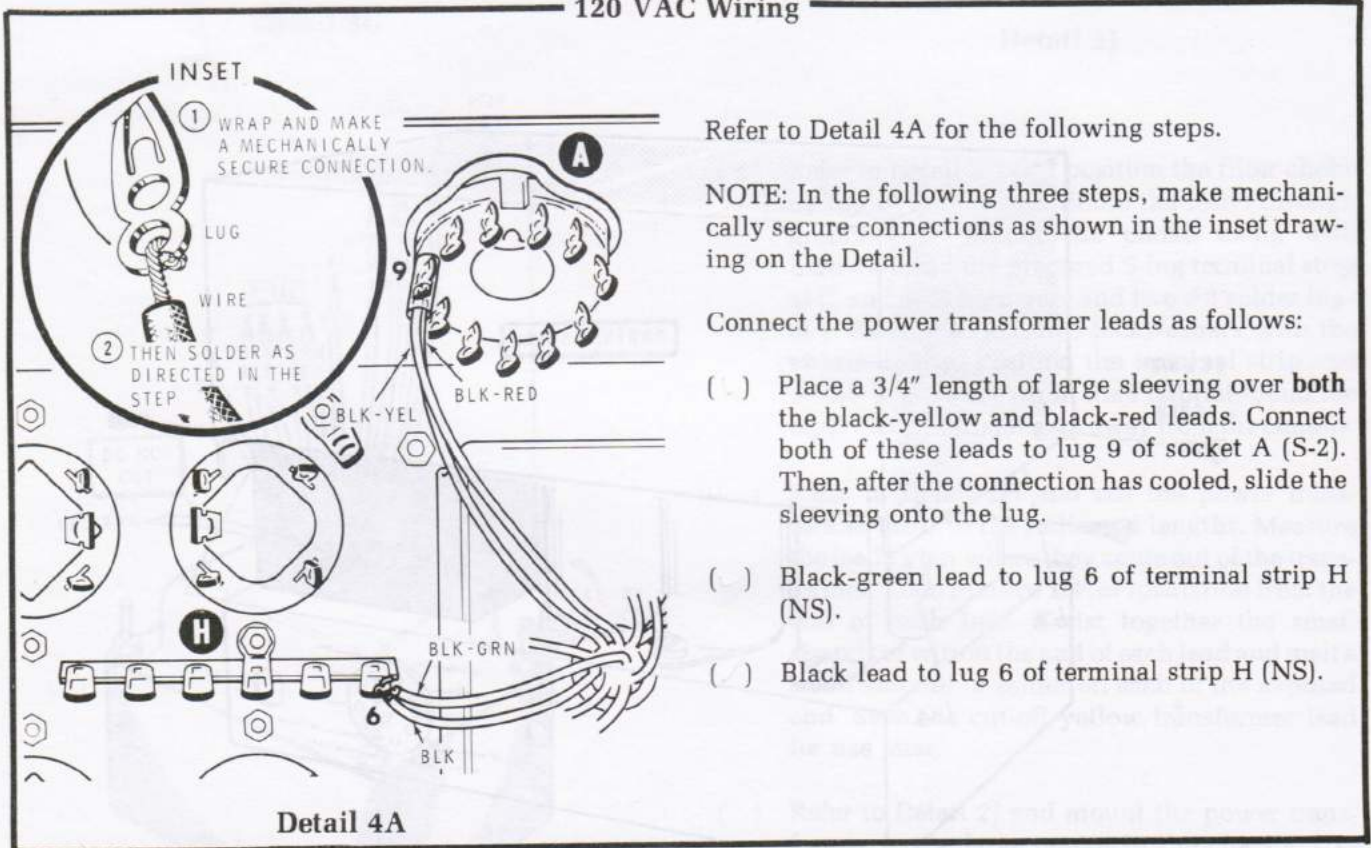
- () Brown lead to lug 2 of terminal strip M (NS).
- () Red lead to lug 2 of terminal strip H (NS).
- () Blue lead to lug 4 of terminal strip H (NS).
- () Red-yellow lead to lug 1 of capacitor E (NS).

- () Place a 3/4" length of large sleeving on the green-yellow lead. Connect this lead to lug 6 of socket A (S-1). Then, after the connection has cooled, slide the sleeving onto the lug.
- () Place a 3/4" length of large sleeving on the yellow lead. Connect this lead to lug 2 of socket A (S-1). Then, after the connection has cooled, slide the sleeving onto the lug.
- () Route the yellow-brown lead as shown in the Pictorial. Then connect it to lug 2 of terminal strip C (NS).

ALTERNATE LINE VOLTAGE WIRING

Two sets of line voltage wiring instructions are given below, one for 120 VAC line voltage and the other for 240 VAC line voltage. In the U.S.A. 120 VAC is more common. USE THE INSTRUCTIONS THAT AGREE WITH THE LINE VOLTAGE IN YOUR AREA.

120 VAC Wiring

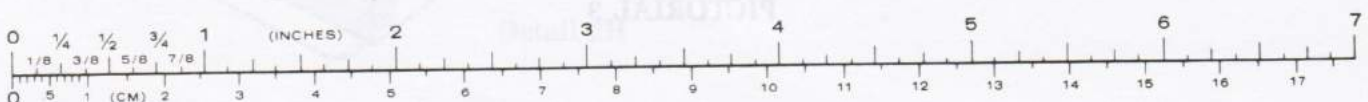


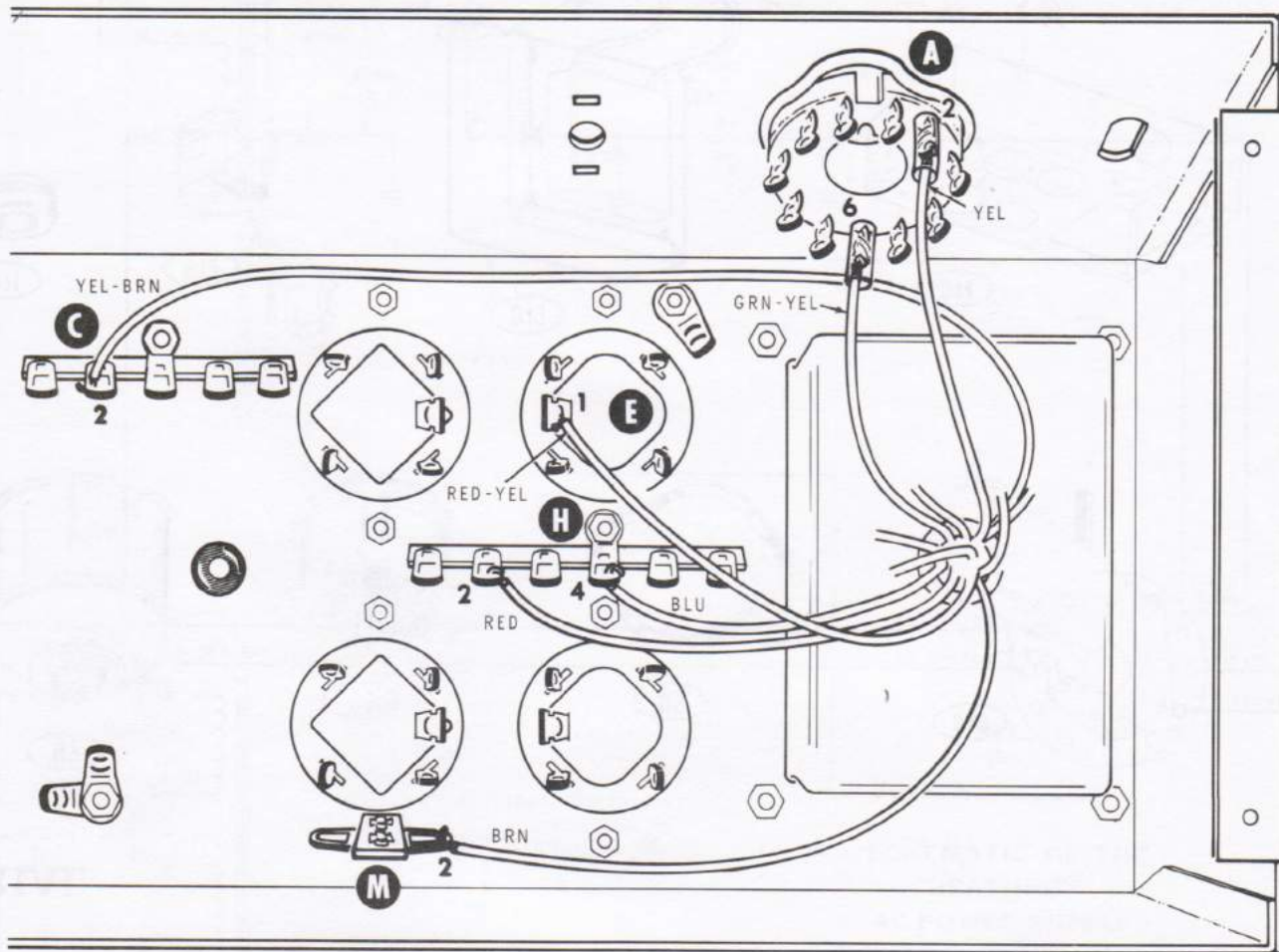
Refer to Detail 4A for the following steps.

NOTE: In the following three steps, make mechanically secure connections as shown in the inset drawing on the Detail.

Connect the power transformer leads as follows:

- () Place a 3/4" length of large sleeving over **both** the black-yellow and black-red leads. Connect both of these leads to lug 9 of socket A (S-2). Then, after the connection has cooled, slide the sleeving onto the lug.
- () Black-green lead to lug 6 of terminal strip H (NS).
- () Black lead to lug 6 of terminal strip H (NS).





PICTORIAL 4

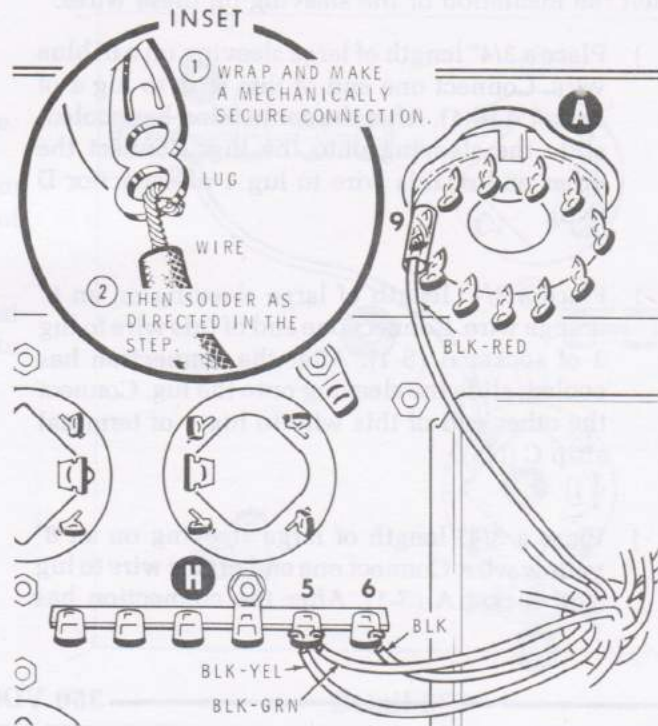
240 VAC Wiring

Refer to Detail 4B for the following steps.

NOTE: In the following four steps, make mechanically secure connections as shown in the inset drawing on the Detail.

Connect the power transformer leads as follows:

- () Place a 3/4" length of large sleeving on the black-red lead. Connect this lead to lug 9 of socket A (S-1). Then, after the connection has cooled, slide the sleeving onto the lug.
- () Black lead to lug 6 of terminal strip H (NS).
- () Black-yellow lead to lug 5 of terminal strip H (NS).
- () Black-green lead to lug 5 of terminal strip H (S-2).



Detail 4B

CHASSIS WIRING

Refer to Pictorial 5 for the following steps.

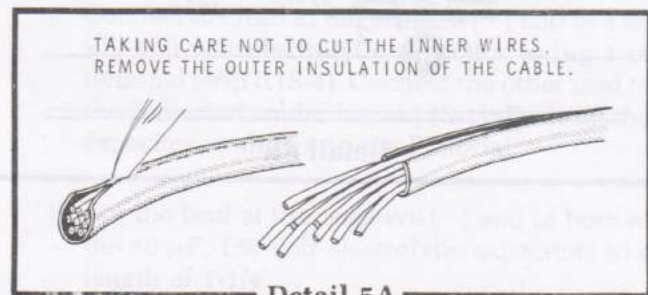
- () Connect the red lead coming from grommet G to lug 1 of terminal strip C (NS).
- () Connect the black lead coming from grommet G to lug 1 of capacitor L (NS).
- () Cut an 8" length of 8-wire cable.
- () Refer to Detail 5A and remove the individual wires from the 8" cable. Some of these wires will be used as hookup wires in the following steps.

NOTE: When you wire this kit, you will be instructed to prepare lengths of hookup wire ahead of time, as in the following step. To prepare a wire, cut it to the indicated length and remove 1/4" of insulation from each end. Melt a small amount of solder on the bare wire ends to hold the small wires strands together. The wires are listed in the order in which they will be used.

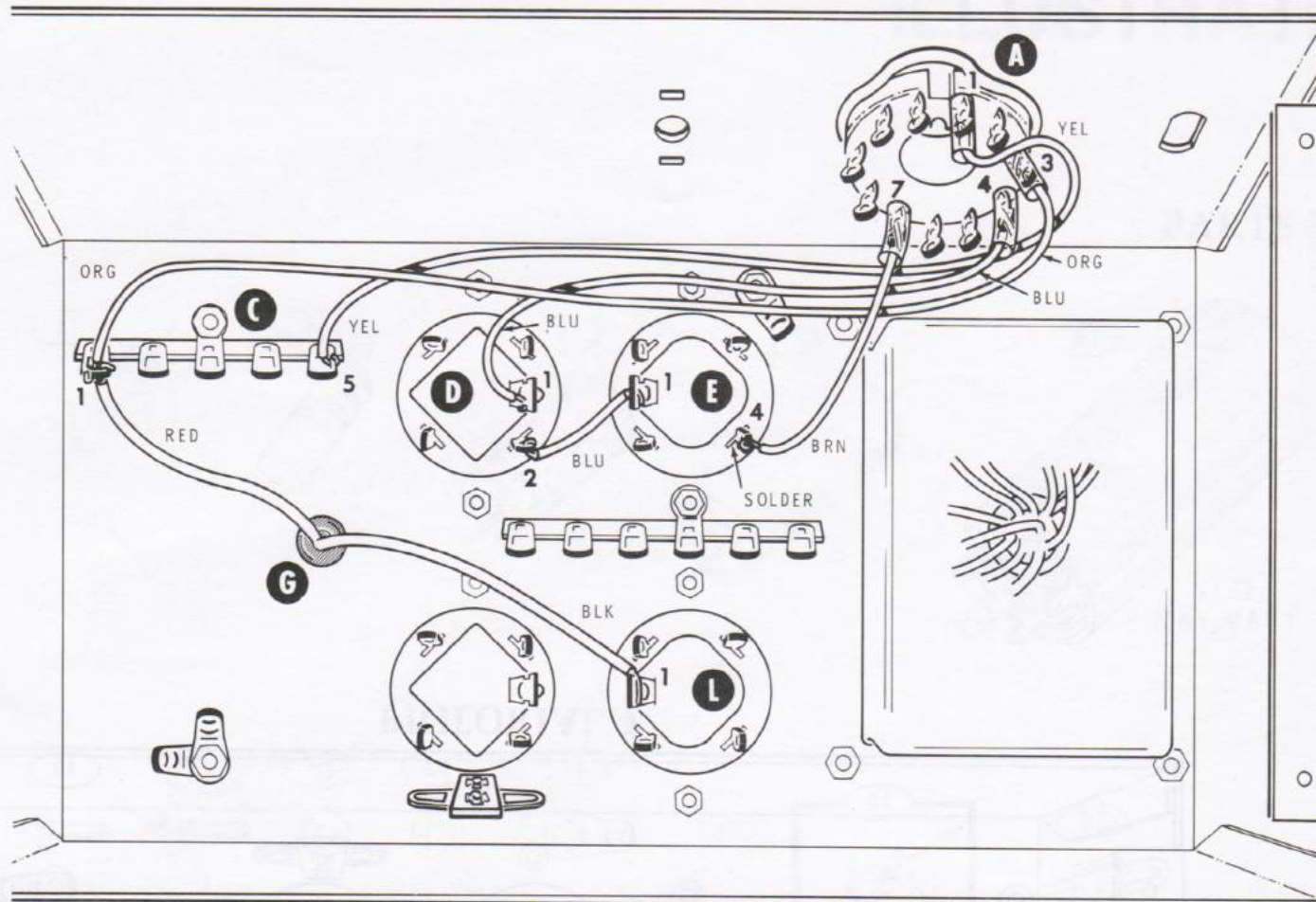
- () Prepare the following lengths of hookup wire:

1-1/2"	blue
6"	blue
8"	orange
8"	yellow
2-1/2"	brown

- () Connect a 1-1/2" blue wire from lug 2 of capacitor D (NS) to lug 1 of capacitor E (NS).



Detail 5A



PICTORIAL 5

NOTE: Since some wires have already been connected to socket A, be especially careful you do not melt the insulation or the sleeving on these wires.

- () Place a 3/4" length of large sleeving on a 6" blue wire. Connect one end of this wire to lug 4 of socket A (S-1). After the connection has cooled, slide the sleeving onto the lug. Connect the other end of this wire to lug 1 of capacitor D (NS).
- () Place a 3/4" length of large sleeving on an 8" orange wire. Connect one end of this wire to lug 3 of socket A (S-1). After the connection has cooled, slide the sleeving onto the lug. Connect the other end of this wire to lug 1 of terminal strip C (NS).
- () Place a 3/4" length of large sleeving on an 8" yellow wire. Connect one end of this wire to lug 1 of socket A (S-1). After the connection has

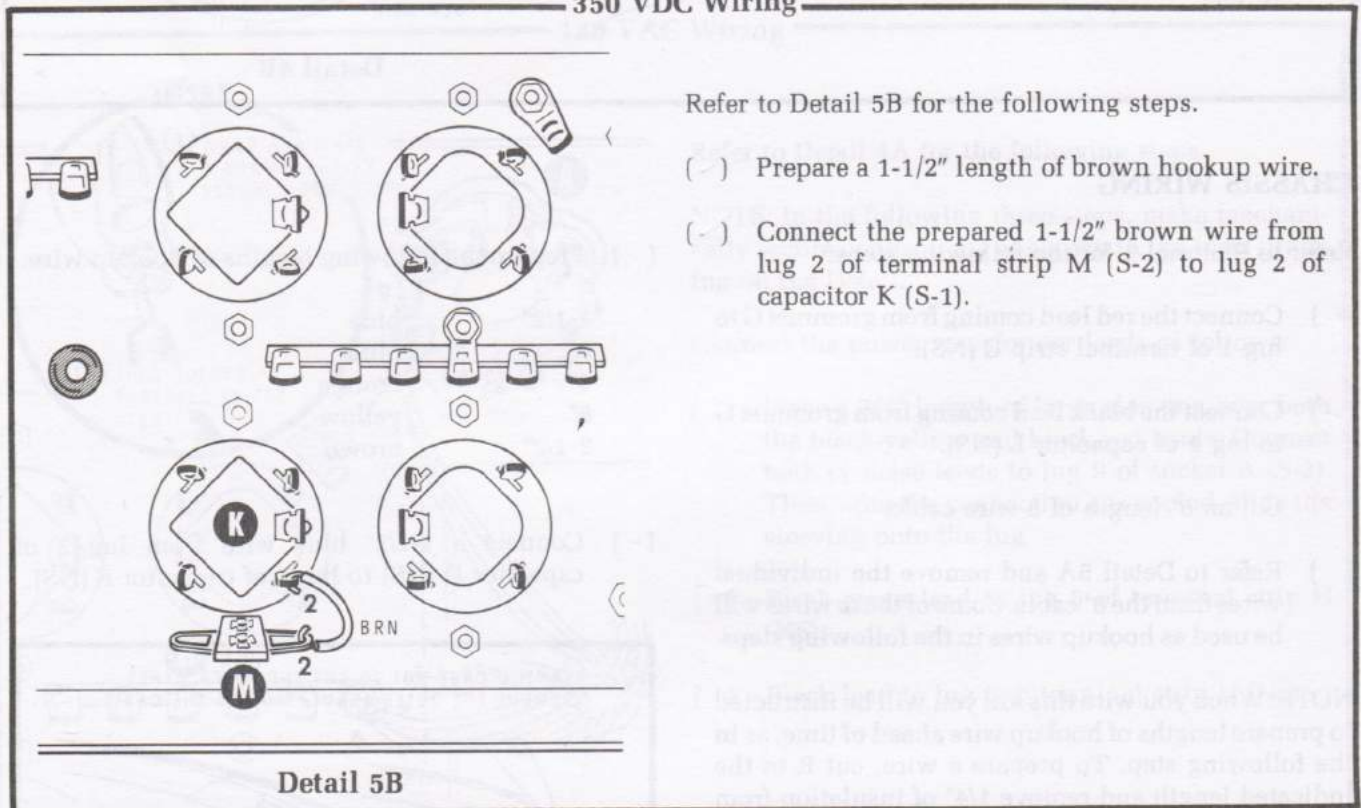
cooled, slide the sleeving onto the lug. Connect the other end of this wire to lug 5 of terminal strip C (NS).

- () Place a 3/4" length of large sleeving on a 2-1/2" brown wire. Connect one end of this wire from lug 7 of socket A (S-1). Then, after the connection has cooled, slide the sleeving onto the lug. Connect the other end of this wire to lug 4 of capacitor E (S-1). Also, solder lug 4 to the mounting wafer.

ALTERNATE LOW VOLTAGE SUPPLY WIRING

Two sets of low voltage supply wiring instructions are given below, one for 350 VDC (300 VDC loaded at 10 mA) and the other for 275 VDC (200 VDC loaded at 100 mA). USE THE INSTRUCTIONS THAT AGREE WITH YOUR EQUIPMENT REQUIREMENTS. See "Specifications" for more information.

350 VDC Wiring



Refer to Detail 5B for the following steps.

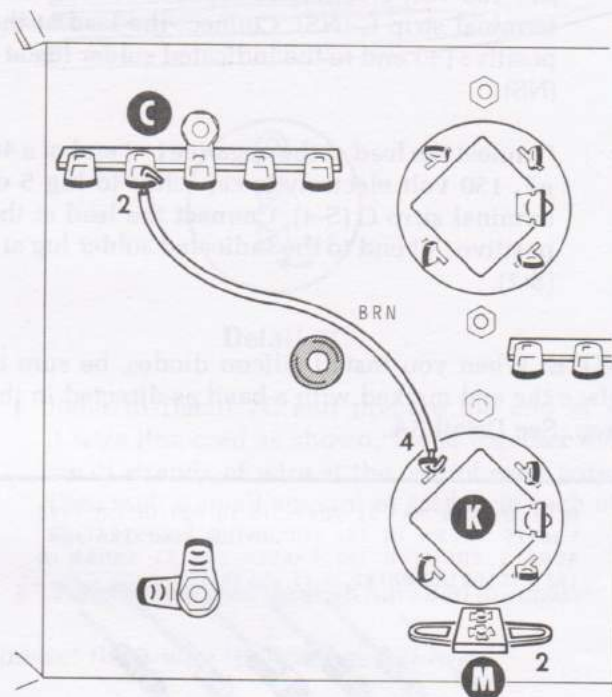
- () Prepare a 1-1/2" length of brown hookup wire.
- () Connect the prepared 1-1/2" brown wire from lug 2 of terminal strip M (S-2) to lug 2 of capacitor K (S-1).



275 VDC WIRING

Refer to Detail 5C for the following steps.

- () Prepare a 3-1/2" length of brown hookup wire.
- () Connect the prepared 3-1/2" brown wire from lug 2 of terminal strip C (NS) to lug 4 of capacitor K (S-1).
- () Solder the wire connected to lug 2 of terminal strip M (S-1). No other wire will be connected to this lug.



Detail 5C

CHASSIS WIRING (cont'd.)

Refer to Pictorial 6 (Illustration Booklet, Page 3) for the following steps.

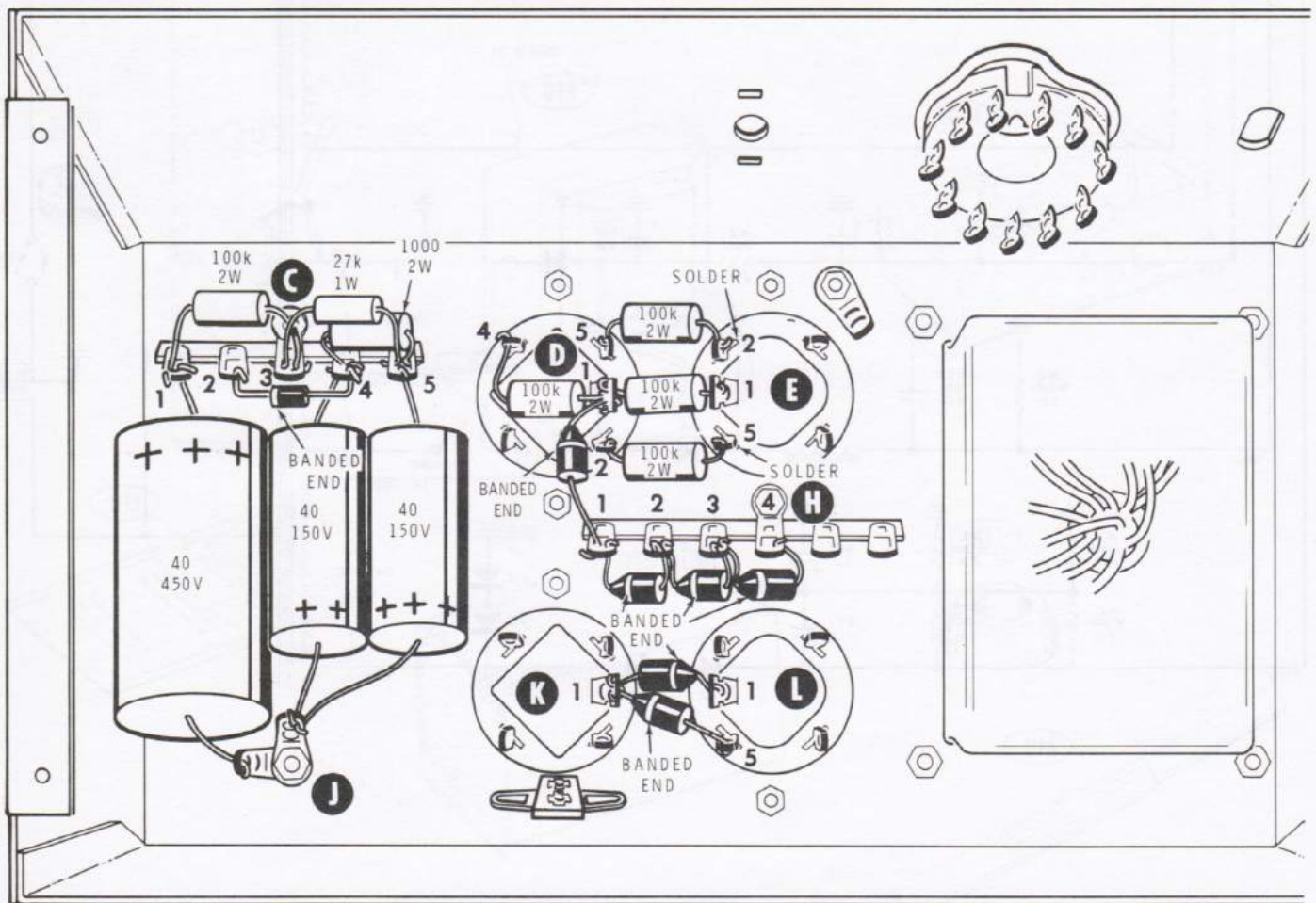
NOTE: When you install the 100 k Ω resistors in the following steps, position them against the bottom of the chassis as shown.

- () Connect a 100 k Ω (brown-black-yellow), 2-watt resistor from lug 5 of capacitor D (S-1) to lug 2 of capacitor E (S-1). Also, solder lug 2 to the mounting wafer.

NOTE: In some of the following steps, one connection may have as many as four wires. After you solder one of these connections, re-examine it to be sure all wires are properly soldered.

- () Connect a 100 k Ω (brown-black-yellow), 2-watt resistor from lug 1 of capacitor D (NS) to lug 1 of capacitor E (S-3).
- () Connect a 100 k Ω (brown-black-yellow), 2-watt resistor from lug 2 of capacitor D (S-2) to lug 5 of capacitor E (S-1). Also, solder lug 5 to the mounting wafer.

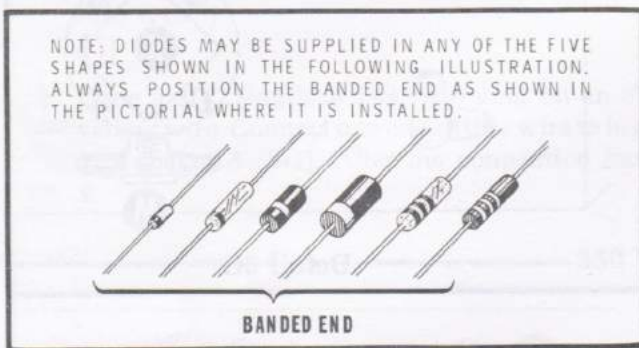
- () Connect a 100 k Ω (brown-black-yellow), 2-watt resistor between lugs 1 (NS) and 4 (S-1) of capacitor D.
- () Connect a 100 k Ω (brown-black-yellow), 2-watt resistor between lugs 1 (NS) and 3 (NS) of terminal strip C.
- () Connect a 1000 Ω (brown-black-red), 2-watt resistor between lugs 4 (NS) and 5 (NS) of terminal strip C.
- () Connect a 2 $\frac{1}{2}$ k Ω (red-violet-orange), 1-watt resistor between lugs 3 (S-2) and 5 (NS) of terminal strip C.
- () Connect the lead at the positive (+) end of a 40 μ F, 450 volt electrolytic capacitor to lug 1 of terminal strip C (S-4). Connect the other lead to the indicated solder lug at J (S-1). Position the capacitor as shown in the Pictorial.
- () Cut the lead at the negative (-) end of both of the 40 μ F, 150 volt electrolytic capacitors to a length of 1-1/4".



PICTORIAL 6

- () Connect the lead at the negative (-) end of a 40 μ F, 150 volt electrolytic capacitor to lug 4 of terminal strip C (NS). Connect the lead at the positive (+) end to the indicated solder lug at J (NS).
- () Connect the lead at the negative (-) end of a 40 μ F, 150 volt electrolytic capacitor to lug 5 of terminal strip C (S-4). Connect the lead at the positive (+) end to the indicated solder lug at J (S-2).

NOTE: When you install silicon diodes, be sure to place the end marked with a band as directed in the step. See Detail 6A.



Detail 6A

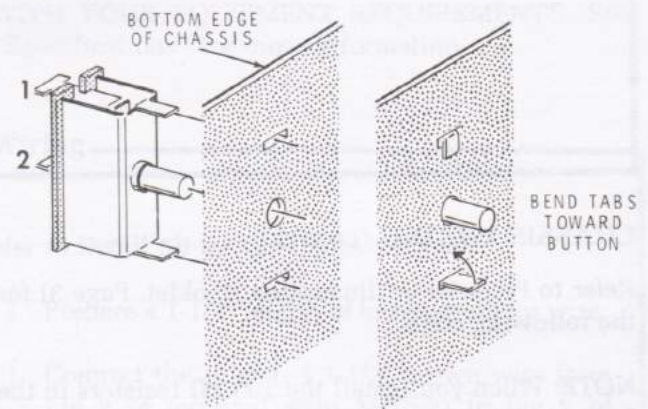
- () Connect the lead at the banded end of a silicon diode to lug 2 of terminal strip C (S-2). NOTE: This would be (S-3) if you used the 275 VDC wiring option.
- () Connect the other lead of the diode just installed to lug 4 of terminal strip C (S-3).
- () Connect the lead at the banded end of a silicon diode to lug 1 of capacitor D (S-4). Connect the other lead to lug 1 of terminal strip H (NS).
- () Connect the lead at the banded end of a silicon diode to lug 1 of terminal strip H (S-2). Connect the other lead to lug 2 of terminal strip H (NS).
- () Connect the lead at the banded end of a silicon diode to lug 2 of terminal strip H (S-3). Connect the other lead to lug 3 of terminal strip H (NS).
- () Connect the lead at the banded end of a silicon diode to lug 3 of terminal strip H (S-2). Connect the other lead to lug 4 of terminal strip H (S-2).

- () Connect the lead at the banded end of a silicon diode to lug 1 of capacitor L (S-2). Connect the other lead to lug 1 of capacitor K (NS).
- () Connect the lead at the banded end of a silicon diode to lug 1 of capacitor K (S-2). Connect the other lead to lug 5 of capacitor L (S-1). Also, solder lug 5 to the mounting wafer.

FINAL WIRING

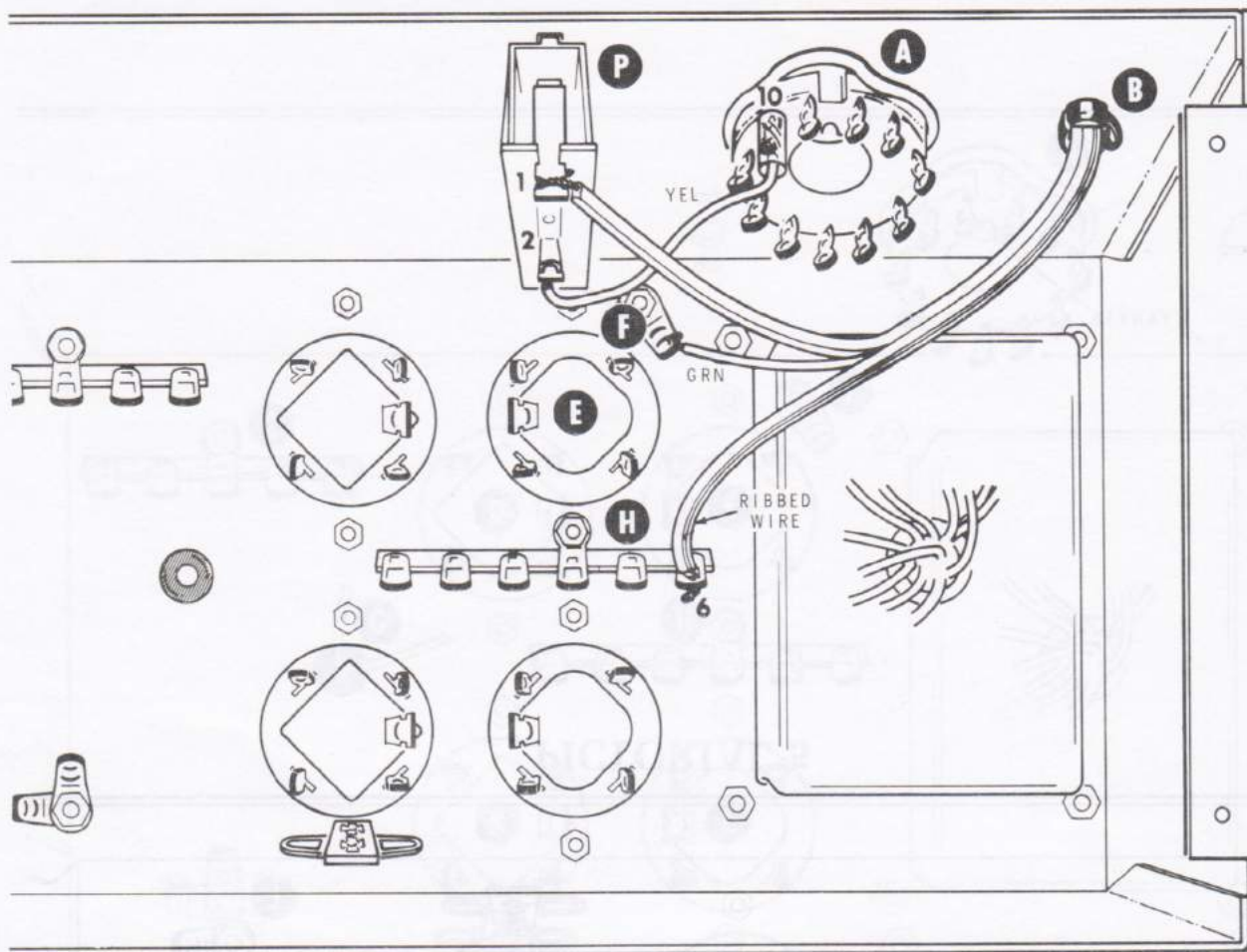
Refer to Pictorial 7 (Illustration Booklet, Page 4) for the following steps.

CAUTION: Before you install the circuit breaker in the following step, make sure the circuit breaker body clears the adjacent wiring of capacitor E by at least 1/8".

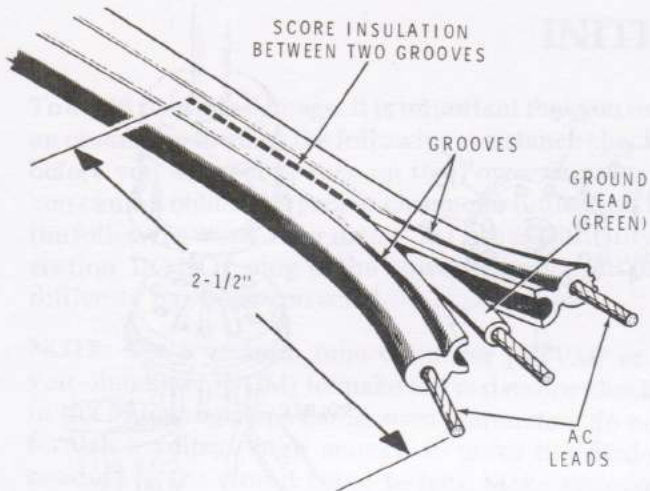


Detail 7A

- () Refer to Detail 7A and install the circuit breaker at P with the lugs positioned as shown. Then bend the mounting tabs as shown.
- () Locate the cut-off yellow transformer lead you set aside earlier. Then cut the wire to 3" and prepare each end.
- () Place a 3/4" length of large sleeving on the 3" yellow wire. Connect one end of this wire to lug 10 of socket A (S-1). Then, after the connection has cooled, slide the sleeving onto the lug.
- () Connect the other end of this wire to lug 2 of circuit breaker P (S-1).



PICTORIAL 7



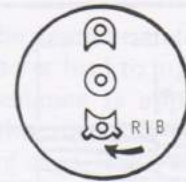
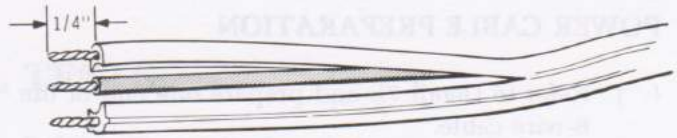
Detail 7B

- () Refer to Detail 7B and split the outer insulation of the line cord for 2-1/2 inches, as follows, so you do not cut into the protective insulation for the AC leads.

1. Use a knife point to score a 2-1/2" line, BETWEEN the two grooves.
2. Turn the cord over and repeat step 1.
3. Grasp the lead ends by the insulation and pull the leads apart. The line cord will separate on the scored line.

NOTE:

1. The flat 3-wire line cord supplied with this kit is approved for use in the U.S.A. and in some countries. If this cord is not approved for your locality, obtain locally an approved cord and proceed with the following steps, making changes as necessary.
2. The flat 3-wire line cord supplied with this kit has one of its outer wires marked with a rib in the insulation along its edge. See Detail 7C. The other wire is smooth, and the third wire is color coded green. It is very important that you connect the ribbed wire as indicated.



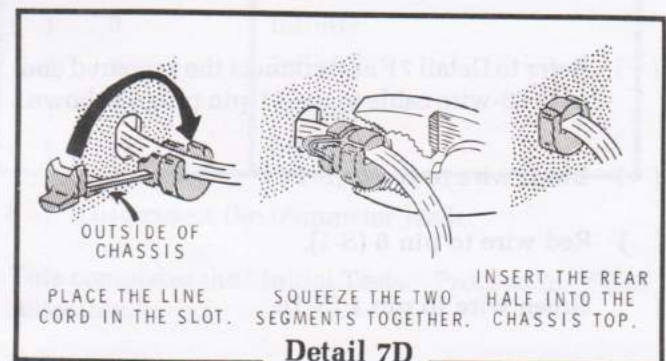
Detail 7C

- () Refer to Detail 7C and prepare the end of a 3-wire line cord as shown. Twist together the small strands of wire at the end of each wire; then melt a small amount of solder on each of the exposed wires.

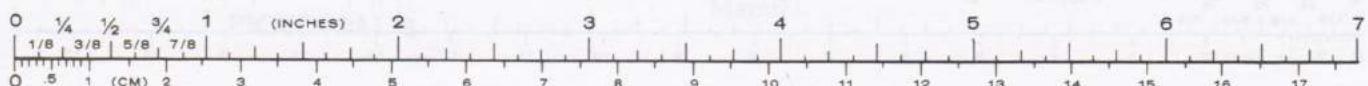
- () Pass the line cord through hole B in the chassis.

Connect the 3-wire line cord as follows:

- () Green wire to solder lug F (S-1). Make a mechanically secure connection.
- () Ribbed wire to lug 6 of terminal strip H (S-3) [S-2 if wired for 240 VAC]. Make a mechanically secure connection.
- () Smooth wire to lug 1 of circuit breaker P (S-1). Make a mechanically secure connection.
- () Pull all excess line cord back through hole B.
- () Refer to Detail 7D and install the strain relief on the line cord at B.

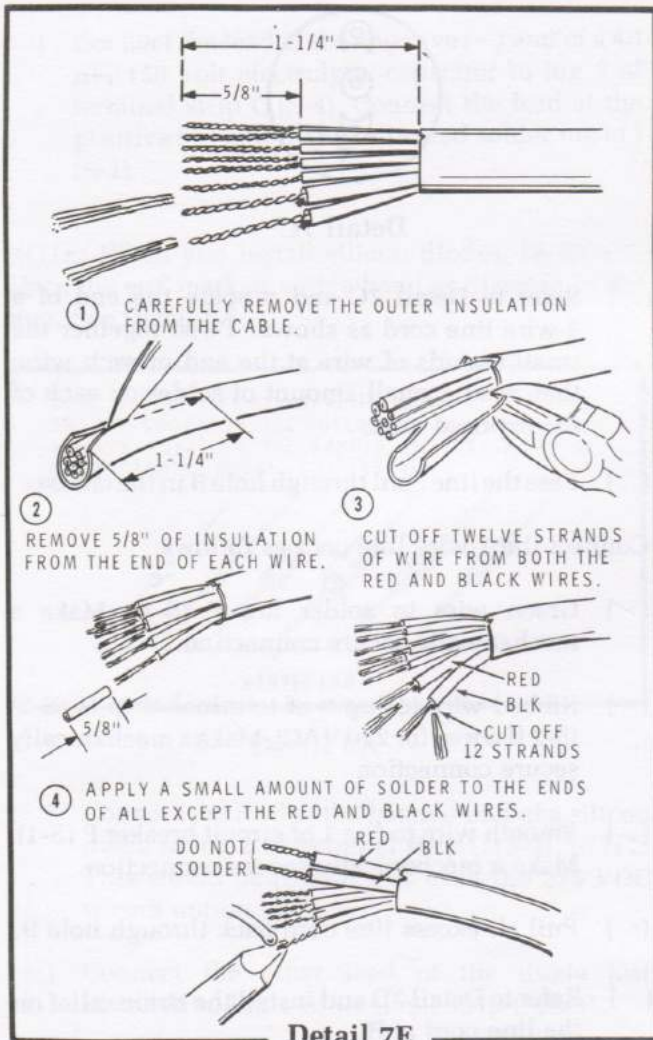


Detail 7D

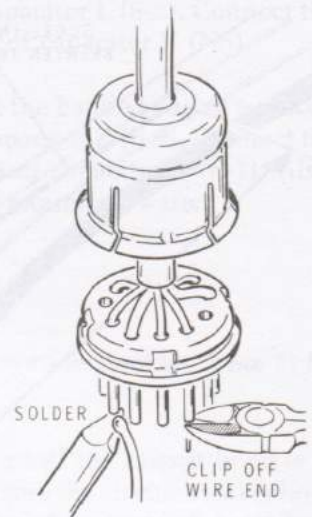
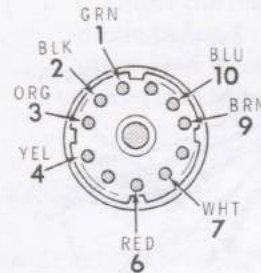


POWER CABLE PREPARATION

- () Refer to Detail 7E and prepare one end of the 8-wire cable.



- () Refer to Detail 7F and connect the prepared end of the 8-wire cable to the 11-pin plug as shown.
- () Black wire to pin 2 (S-1).
- () Red wire to pin 6 (S-1).
- () Green wire to pin 1 (S-1).



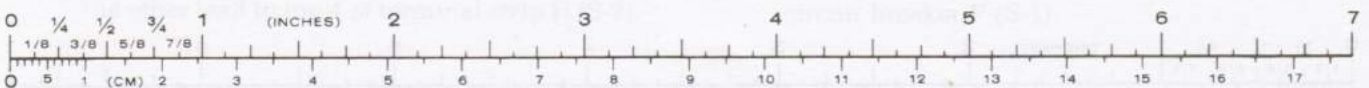
Detail 7F

- () Orange wire to pin 3 (S-1).
- () Yellow wire to pin 4 (S-1).
- () White wire to pin 7 (S-1).

NOTE: If this Power Supply is to be used with equipment that does not have provisions for switching the AC power on and off, disregard the following two steps and install a jumper wire between pins 9 (S-1) and 10 (S-1) of the 11-pin plug. To make sure that the brown and blue cable wires are NOT connected to these pins, cut and tape the ends of each wire.

- () Brown wire to pin 9 (S-1).
- () Blue wire to pin 10 (S-1).
- () Slide the plug cap over the free end of the 8-wire cable and push it onto the 11-pin plug.

This completes the wiring of your Heathkit Power Supply. Carefully inspect all connections for loose wires or unsoldered connections. Remove any wire clippings or solder splashes. Then proceed to the "Initial Tests" section.



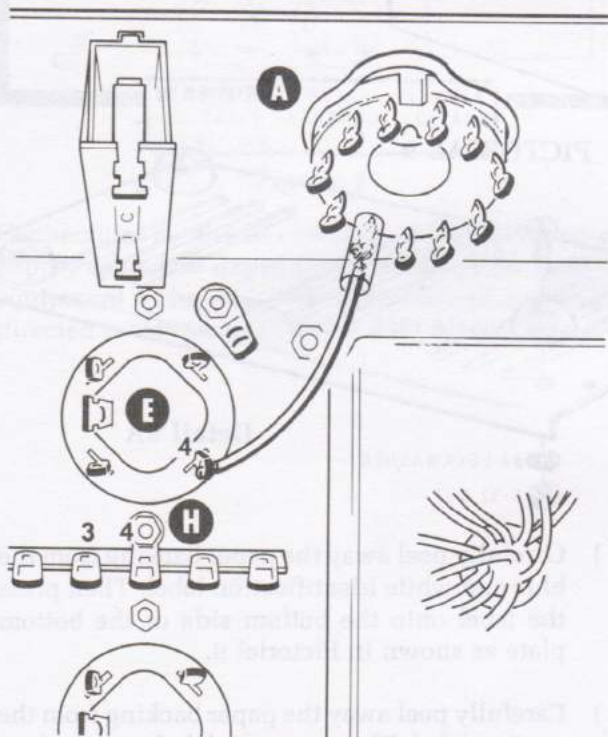
INITIAL TESTS

To avoid possible damage, it is important that you use an ohmmeter to make the following resistance checks before you connect or turn on the Power Supply. If you cannot obtain the proper ohmmeter indication in the following steps, refer to the "In Case of Difficulty" section. DO NOT plug in the Power Supply until the difficulty has been corrected.

NOTE: Use a vacuum tube voltmeter (VTVM) or a volt-ohmmeter (VOM) to make the resistance checks in the following steps (solid-state ohmmeters do not furnish a voltage high enough to make the diodes conduct in the circuit being tested). Make sure you have the ohmmeter set correctly, since the range setting influences the meter reading when a diode is in the circuit.

- () Set the ohmmeter to the RX1 range.

Because some of the circuits to be measured contain diodes, you will obtain different resistance readings if the polarity of the meter leads is reversed in the following measurements. Therefore, in the next two steps you will determine the polarity of the ohmmeter test leads and connect the proper lead to chassis ground.



PICTORIAL 8

Refer to Pictorial 8 for the following steps.

- () Connect the negative meter lead to lug 3 and the positive meter lead to lug 4 of terminal strip H. If the resistance is approximately 10 ohms, connect the negative meter lead to lug 4 (ground) of capacitor E for the following resistance checks and disregard the next step.
- () If the meter needle remains on or near the infinity mark (full scale), reverse the meter leads. If you now obtain a reading of approximately 10 ohms, connect the positive meter lead to lug 4 (ground) of capacitor E for the following resistance checks.
- () Set your ohmmeter to the RX10k range.

Now use the remaining meter lead to verify the resistance measurements in following steps. Some of the readings will take a few seconds to reach the indicated resistance because of the slow charging rate of the capacitors in the Power Supply.

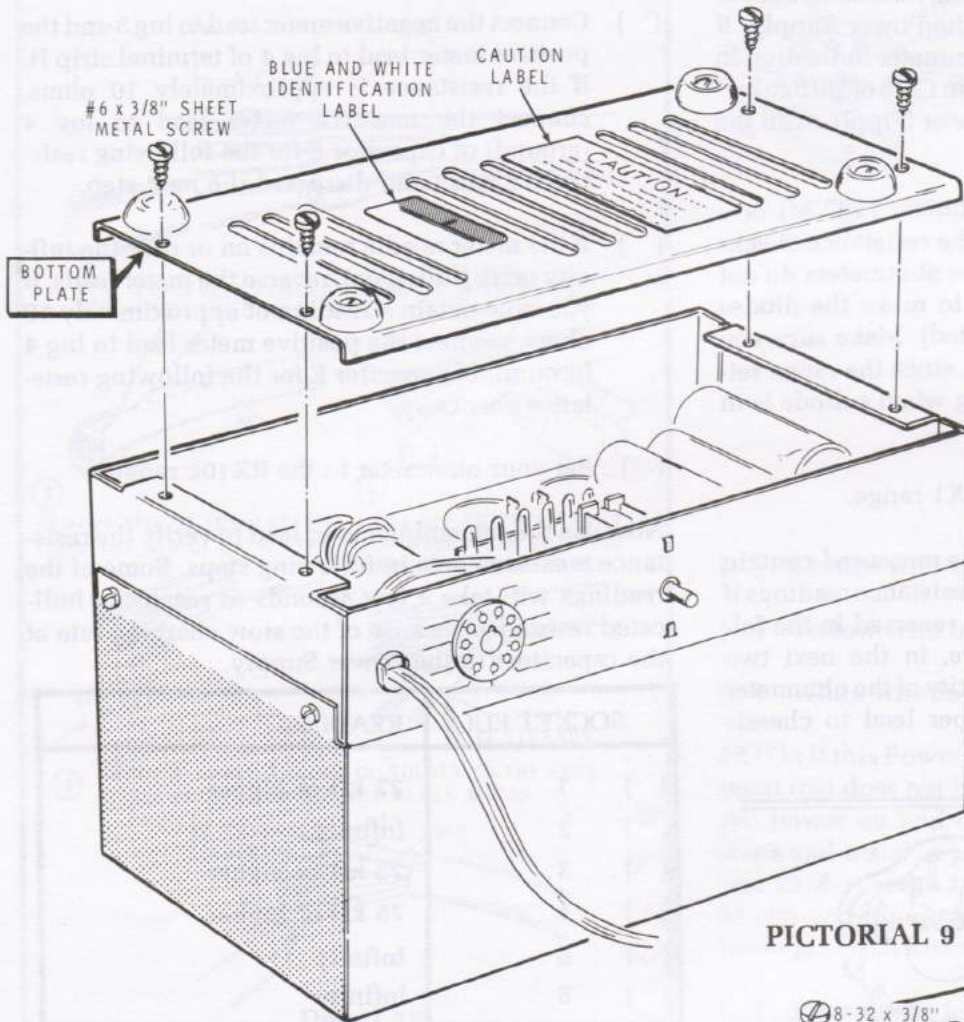
SOCKET LUG	READING
() 1	22 kΩ or higher
() 2	Infinity
() 3	75 kΩ or higher
() 4	75 kΩ or higher
() 5	Infinity
() 6	Infinity
() 7	0 Ω
() 8	Infinity
() 9	Infinity
() 10	Infinity
() 11	Infinity

- () Disconnect the ohmmeter leads.

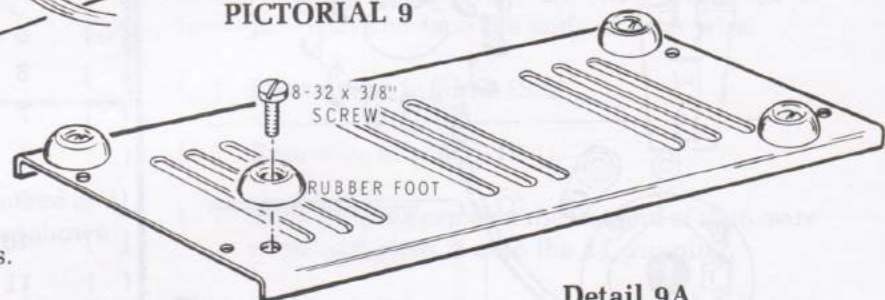
This completes the "Initial Tests." Proceed to "Final Assembly."

NOTE: DO NOT plug in the Power Supply until the proper connector for your equipment has been installed, as outlined in the "Operation" section of this Manual.

FINAL ASSEMBLY



PICTORIAL 9



Detail 9A

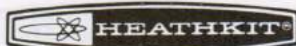
Refer to Pictorial 9 for the following steps.

- () Refer to Detail 9A and install four rubber feet on the bottom plate using 8-32 × 3/8" hardware.
- () Refer to Pictorial 9 and install the bottom plate on the chassis. Use #6 × 3/8" sheet metal screws.

NOTE: The blue and white label shows the model number and production series number on your kit. Refer to these numbers in any communications you have with Heath Company about this kit.

- () Carefully peel away the paper backing from the blue and white identification label. Then press the label onto the bottom side of the bottom plate as shown in Pictorial 9.
- () Carefully peel away the paper backing from the caution label. Then press the label onto the bottom of the bottom plate as shown in Pictorial 9.

- #8 LOCKWASHER
- #8-32 NUT



OPERATION

CAUTION: The output voltage of this Power Supply can be lethal. Also, the potential stored in the large capacitors is dangerous. Allow time for these capacitors to discharge through the bleeder resistors before working on the Power Supply. The capacitors can be discharged more quickly by shorting the capacitor lugs to the chassis with a screwdriver blade. In a situation where electrical shock is a possibility, stand on some dry insulating material and work with one hand behind your back. Never attempt to do any work on the Power Supply with the line cord connected to an AC outlet. Figure 1 shows the location of this high voltage area.

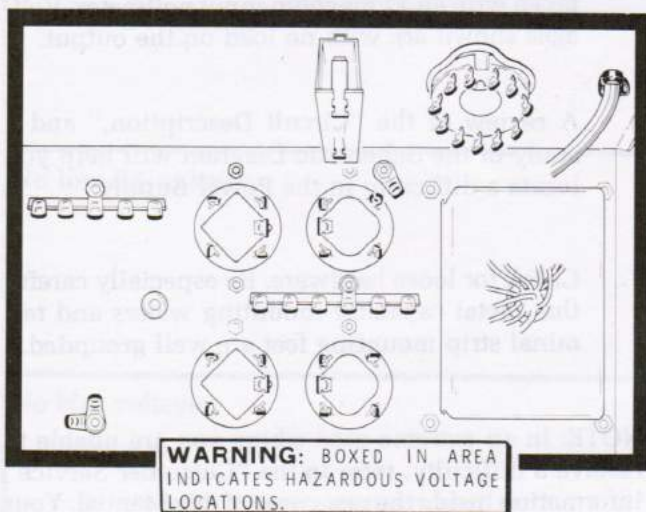


Figure 1

Connections at the free end of the 8-conductor power supply cable will depend on the requirements of the equipment to be powered. With the cable wired as directed in this Manual, the no load voltage shown in

Table 1 will be available at the free end of the cable. It is recommended that a connector which attaches to the power input socket on your equipment, be permanently installed on the free end of this cable. Connectors and connection instructions are supplied with Heath products designed for use with this Power Supply.

TABLE 1

Cable Wire Color	Voltage
Green	-130 VDC.
Black	Filament common.
Orange	+275 VDC or +350 VDC.
Yellow	+820 VDC.
Red	12 VAC.
White	Ground wire.
*Brown	AC switch in equipment
*Blue	AC switch in equipment.

*The voltage or function available at these cable wires depends upon how the plug at the other end of the cable was wired in the steps on Page 14.

- () Connect the power cable from the Power Supply to your equipment.
- () Connect the line cord plug to an electrical outlet supplying the voltage for which the Power Supply was wired (120 VAC or 240 VAC).

IN CASE OF DIFFICULTY

This section of the Manual is divided into two parts. The first part, titled "General Troubleshooting Information" described what to do about any difficulties that may occur right after the Power Supply is assembled.

The second part, a "Troubleshooting Chart," is provided to assist in servicing if the "General Information" does not clear up the problem, or if difficulties occur after the Power Supply has been in operation for some time. This Chart lists some difficulties which could arise, and several possible causes.

GENERAL TROUBLESHOOTING INFORMATION

1. Recheck the wiring. Trace each lead in colored pencil on the Pictorial as it is checked. It is frequently helpful to have a friend check your work. Someone who is not familiar with the unit may notice something consistently overlooked by the builder.
2. About 90% of the kits that are returned to Heath Company for repair do not function properly due to poor connections and soldering. Therefore, many troubles can be eliminated by reheating all connections to make sure that they are soldered as described in the soldering section of the "Kit Builders Guide."
3. Check the values of the parts. Be sure that the proper part has been wired into the circuit, as shown in the Pictorial diagrams and as called out in the wiring instructions.
4. Check for bits of solder, wire ends or other foreign matter which may be lodged in the wiring.
5. If, after careful checks the trouble is still not located, check voltage readings against those on the Schematic. NOTE: All voltage readings were taken with an 11 megohm input voltmeter. Voltages shown are with no load on the output.
6. A review of the "Circuit Description," and a study of the Schematic Diagram will help you locate a difficulty in the Power Supply.
7. Check for loose hardware. Be especially careful that metal capacitor mounting wafers and terminal strip mounting feet are well grounded.

NOTE: In an extreme case where you are unable to resolve a difficulty, refer to the "Customer Service" information inside the rear cover of this Manual. Your Warranty is located inside the front cover.



Troubleshooting Chart

DIFFICULTY	POSSIBLE CAUSE
Completely inoperative.	<ol style="list-style-type: none"> 1. Circuit breaker open. 2. Pin 9 or 10 on power output socket or cable plug open or incorrectly wired. 3. Remote switching circuit in associated equipment faulty. 4. Power transformer T1.
Circuit breaker opens when reset.	<ol style="list-style-type: none"> 1. Short in power transformer windings. 2. Short in rectifier or filter circuits. 3. Short in associated equipment. 4. Overload in associated equipment.
No high B+ voltage.	<ol style="list-style-type: none"> 1. Diodes D1, D2, D3 or D4 faulty. 2. Pin 4 on power output socket or power cable plug open or incorrectly wired. 3. Power transformer T1.
No low B+ voltage.	<ol style="list-style-type: none"> 1. Diode D5 and/or D6. 2. Filter choke L1. 3. Pin 3 of power output socket or cable plug open or incorrectly wired. 4. Polarity of diodes or filter capacitors is incorrect.
No bias voltage.	<ol style="list-style-type: none"> 1. Diode D7. 2. Resistor R7 or R8. 3. Pin 1 of power output socket or cable plug open or incorrectly wired.
High B+ voltage only half of indicated value with no load, less under load.	<ol style="list-style-type: none"> 1. Diode D1, D2, D3 or D4. 2. Capacitor C1 or C2.
Low B+ voltage only half of indicated value.	<ol style="list-style-type: none"> 1. Diode D5 or D6.
All voltages only half of indicated values.	<ol style="list-style-type: none"> 1. Power transformer primary wired for 240 VAC when Power Supply is used on 120 VAC.

SPECIFICATIONS

HIGH VOLTAGE SUPPLY

Output Voltage	820 volts DC, no load. 700 volts DC at 250 mA.
Effective Output Capacitance	62.5 μ F.
Ripple	Less than 1% at 250 mA.
Duty Cycle	Continuous up to 150 mA. 50% at 300 mA.

LOW VOLTAGE SUPPLY (high tap)

Output Voltage	350 volts DC no load. 300 volts DC at 150 mA (with 100 mA load on High Voltage)
Ripple	Less than .05% at 150 mA.
Duty Cycle	Continuous up to 175 mA.

LOW VOLTAGE SUPPLY (low tap)

Output Voltage	275 volts DC, no load. 250 volts DC, at 100 mA (with 100 mA load on High Voltage).
Ripple	Less than .05% at 150 mA.
Duty Cycle	Continuous up to 175 mA.

OTHER OUTPUT VOLTAGES

Fixed Bias	-130 volts DC, no load. -100 volts DC, at 20 mA.
Filament	12.6 volts AC at 5.5 amperes.

GENERAL

Power Requirements	120/240 volts AC, 50/60 Hz, 350 watts.
Dimensions	9" long \times 4-3/4" wide \times 6-3/4" high.
Net Weight	16 lbs.

The Heath Company reserves the right to discontinue products and to change specifications at any time without incurring any obligation to incorporate new features in products previously sold.

CIRCUIT DESCRIPTION

To better understand the circuit operation, refer to the Schematic Diagram while you read the following description. Each section of the Power Supply will be discussed individually.

PRIMARY CIRCUIT

The circuit breaker, transformer primary, and two terminals of the power output socket are wired in series across the AC line. The Power Supply may be controlled by the off-on switch in the equipment being used with it. The dual primary winding may be connected in series for 240 VAC line operation, or in parallel for use on a 120 VAC line.

HIGH VOLTAGE SECONDARY CIRCUIT

The high voltage winding applies approximately 282 volts AC (rms) to a full-wave voltage doubler rectifying circuit consisting of silicon diodes D1, D2, D3, and D4, and capacitors C1 and C2. These diodes are connected so that during one-half cycle, capacitor C2 becomes charged; during the next half cycle capacitor C1 is charged. Resistors R1, R2, R3, and R4 are connected in the circuit to provide a discharge path for capacitors C1 and C2. The capacitors are charged individually, but discharge in series to produce a DC voltage equal to approximately twice the applied peak AC voltage. Excellent dynamic regulation is

provided by the large capacitance values of C1 and C2. The output of the voltage doubler circuit has a low ripple content and no further filtering is required.

LOW VOLTAGE CIRCUIT

The low voltage winding is tapped so that either 95 or 125 volts AC (rms) may be applied to a half-wave voltage-doubler rectifying circuit consisting of diodes D5 and D6, and capacitors C3 and C4. Capacitor C4 is also used with choke L1 and capacitor C5 in a pi filter; C4 is the input capacitor in the filter network. The use of a high-capacitance input pi filter network provides a well filtered DC output that has a very low percentage of ripple.

BIAS VOLTAGE CIRCUIT

The bias voltage is obtained from the low tap on the low voltage winding. About 95 volts AC (rms) is applied to half-wave rectifier diode D7. Capacitors C6 and C7, with resistor R7, provide a filter network to remove the ripple from the bias voltage. -130 volts of fixed bias is coupled to the power output socket.

FILAMENT VOLTAGE CIRCUIT

The 12.6 volt filament winding provides 12.6 VAC to the power output socket.

SPECIFICATIONS

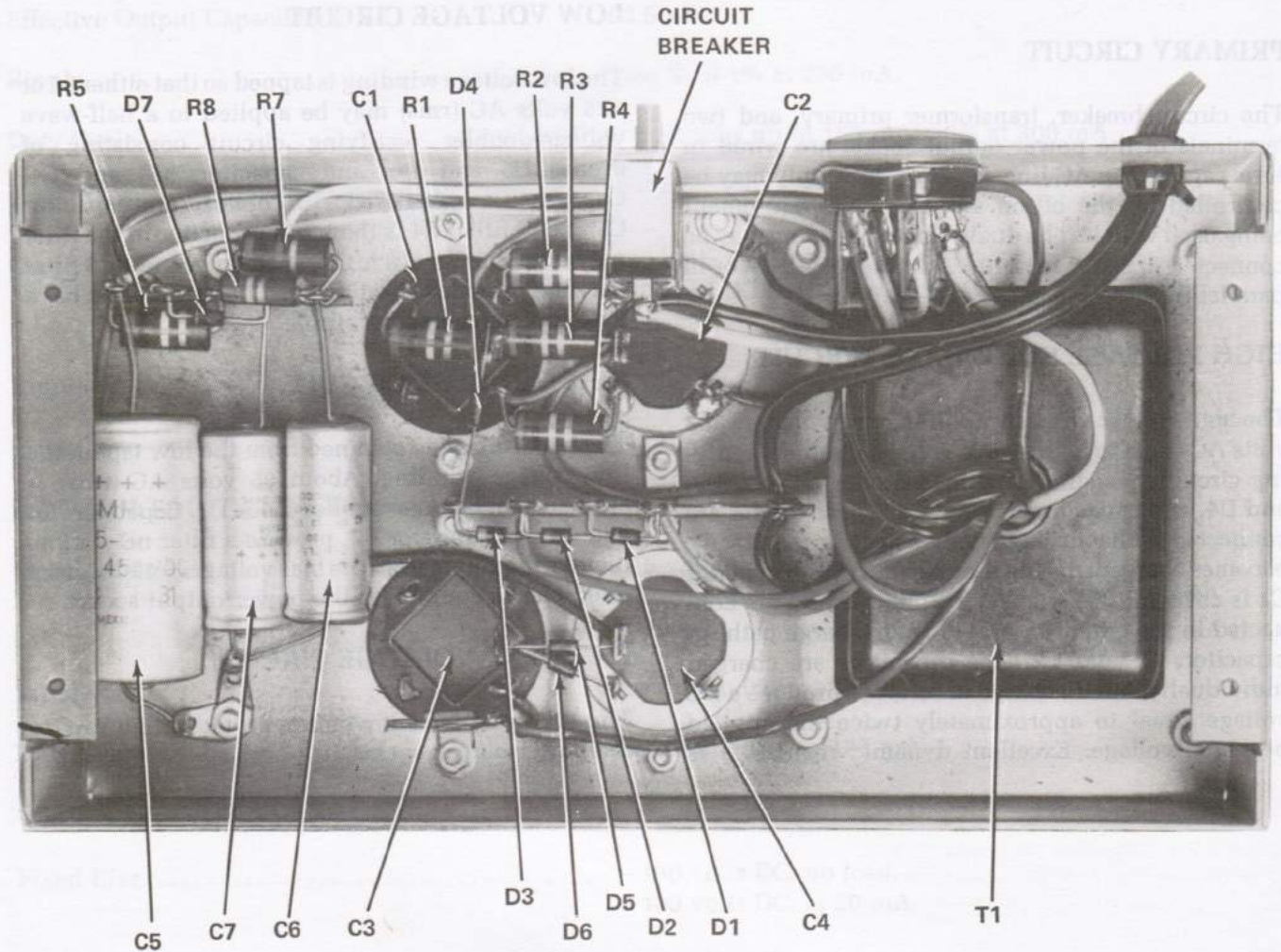
CHASSIS PHOTOGRAPHS

HIGH VOLTAGE SUPPLY

Transformer withstands full rated operation under the following conditions: The output of the voltage doubler circuit has a voltage regulation of 1% or better. The output of the power supply will have a ripple content and no further filtering is required. Each section of the power supply will have a ripple content and no further filtering is required. Each section of the power supply will have a ripple content and no further filtering is required. Each section of the power supply will have a ripple content and no further filtering is required.

LOW VOLTAGE CIRCUIT

The circuit breaker is a standard 15 ampere, 250 volt AC type. The circuit breaker is a standard 15 ampere, 250 volt AC type. The circuit breaker is a standard 15 ampere, 250 volt AC type. The circuit breaker is a standard 15 ampere, 250 volt AC type.



GENERAL

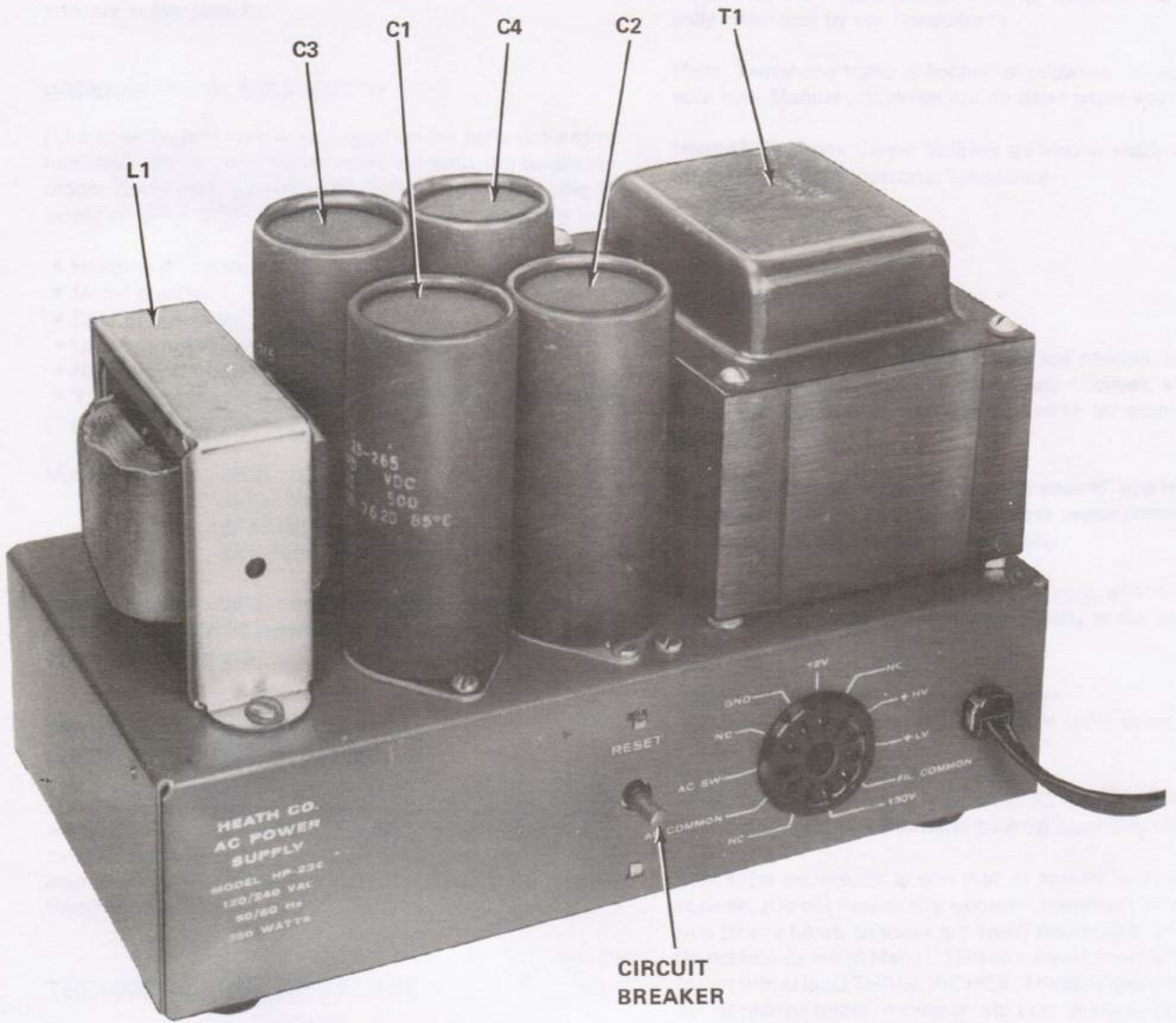
Power Requirement: 120/240 volts AC, 50/60 Hz, 150 watts.

Dimensions: 10 1/2" long x 4 3/4" wide x 6 3/4" high.

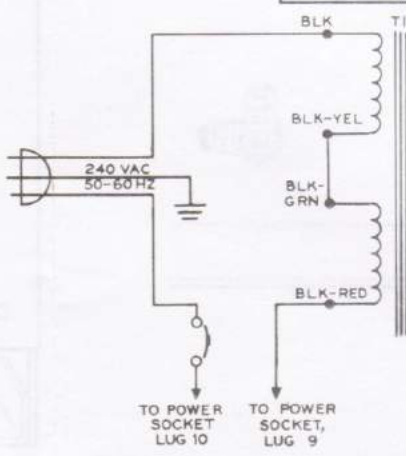
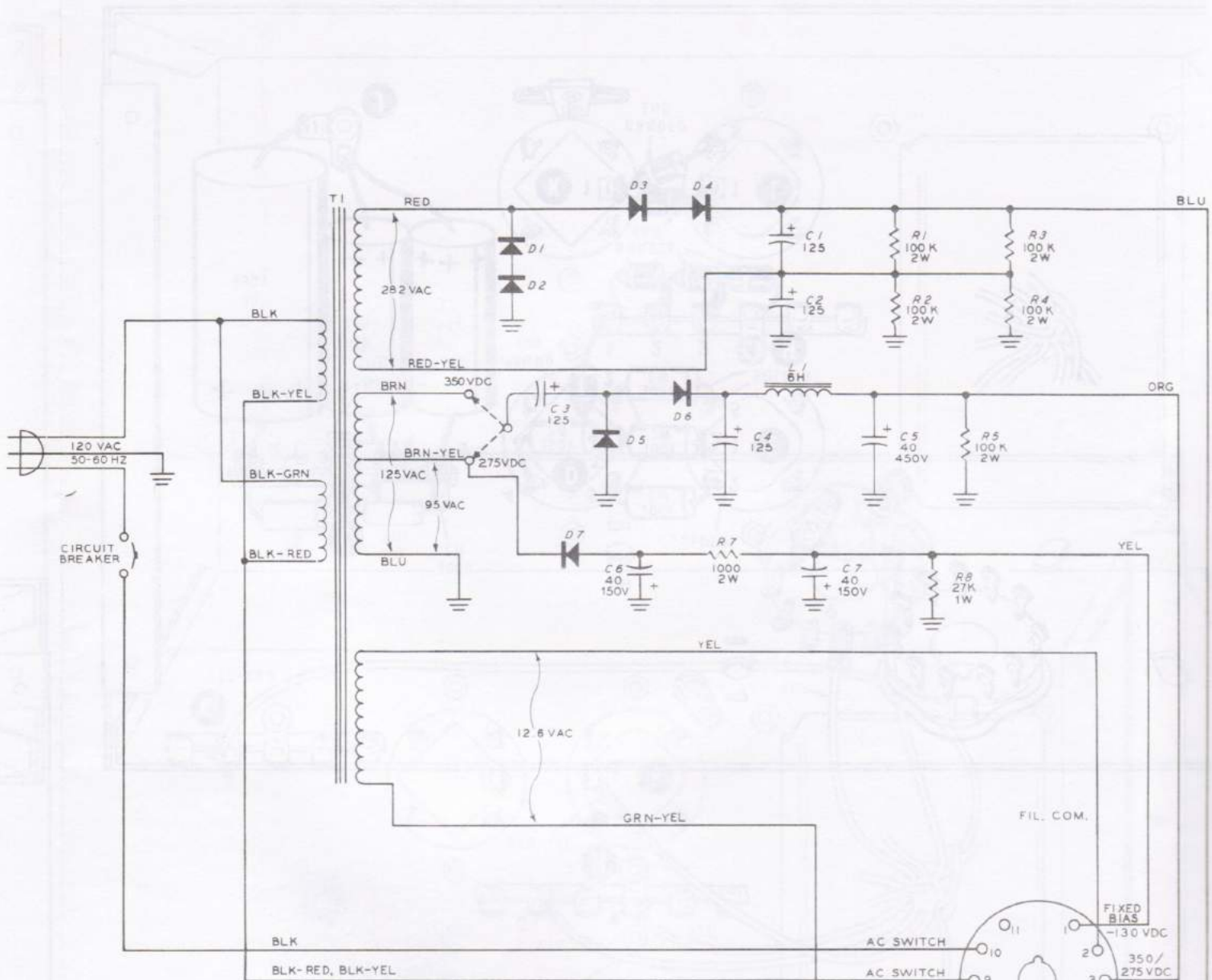
Net Weight: 16 lbs.

The Heath Company reserves the right to discontinue production of this product without notice and to incorporate new features in products produced hereafter.

REPLACEMENT PARTS



DIAGRAM

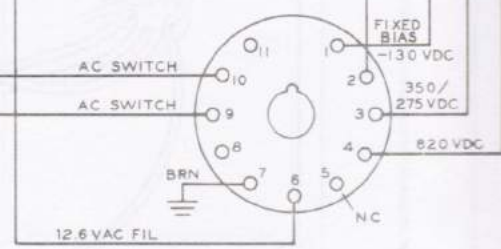


NOTE:
ALL RESISTANCES ARE IN OHMS
(K-1000).

ALL CAPACITORS ARE IN μ F.

ALL DC VOLTAGES MEASURED
FROM POINT INDICATED TO
GROUND, WITH NO LOAD ON
THE OUTPUT.

VOLTAGE MEASUREMENTS
MADE WITH AN 11 MEGOHM
INPUT ELECTRONIC
VOLTMETER.



**SCHEMATIC OF THE
HEATHKIT®
AC POWER SUPPLY
MODEL HP-23C**

HEATH

Schlumberger

HEATH COMPANY • BENTON HARBOR, MICHIGAN
THE WORLD'S FINEST ELECTRONIC EQUIPMENT IN KIT FORM

LITHO IN U.S.A.