

PK-232 MBX EPROM Installation Instructions

Congratulations on the purchase of AEA's latest firmware for the PK-232 MBX. We know you will want to get up and running with your new upgrade as quickly as possible so please follow these instructions to install your new firmware EPROMs.

Tools Needed:

A medium Phillips-head screwdriver, and a small straight-blade screwdriver.

Step 1:

Turn off the PK-232 and unplug all interconnecting cables from its rear panel.

Step 2:

Prepare a work area that is as static-free as possible before opening the PK-232 MBX. Your work area should not have carpet on the floor, and if possible be within reach of a good sized grounded appliance you can touch to discharge any static electricity that you may have acquired.

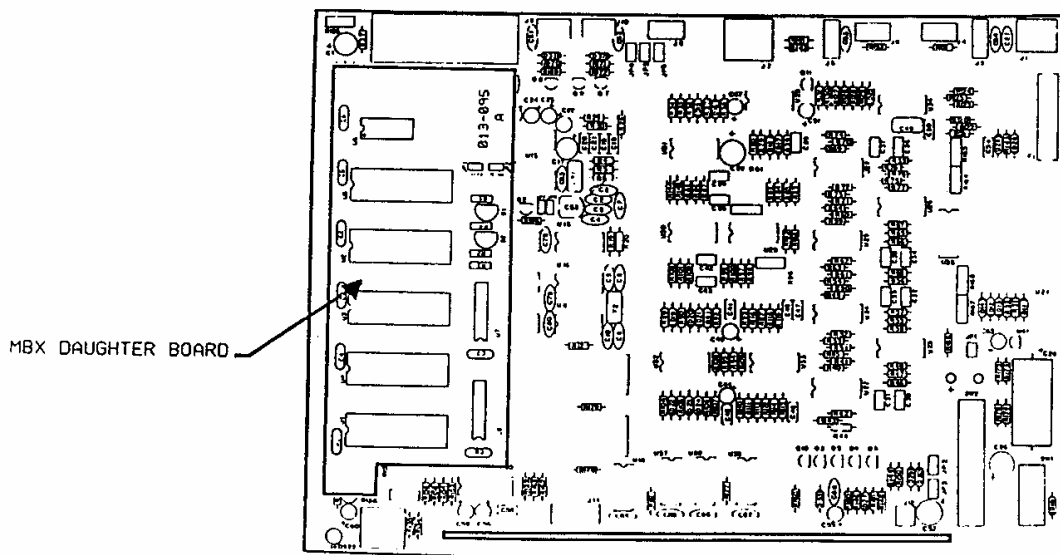
Step 3:

Open the PK-232 MBX with the Phillips screwdriver by removing the six screws that hold the top cover in place. Then, carefully separate the top cover from the bottom chassis.

Step 4:

Make sure your unit is an AEA Model PK-232 MBX. Your Data Controller must be a PK-232 MBX and should say so on the upper right hand corner of the front panel. If your unit only says Model PK-232 on the front panel, then make sure that you have the MBX daughter board installed behind the THRESHOLD potentiometer as shown below.

If the serial number of your PK-232 is below 45,933 and you do not have a daughter board installed, then you must contact AEA to purchase one. These EPROMs will not work in a PK-232 below serial number 45,933 unless a daughter board is installed.



Step 5:

If your PK-232 MBX does have a daughter board installed, refer to Figure 1 below when continuing to the next step. If your PK-232 MBX does not have a daughter board installed, refer to Figure 2 below when continuing to the next step.

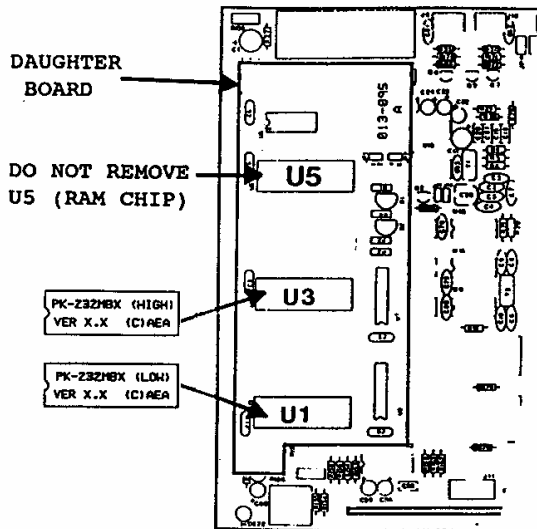


Figure 1.

PK-232 MBX with Daughter Board.

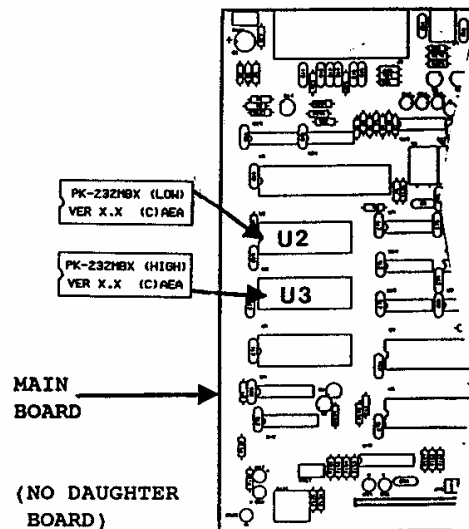


Figure 2.

PK-232 MBX without Daughter Board.

Step 6:

Locate the EPROM chip sockets on the front left of your PK-232 MBX. If your PK-232 MBX has a daughter board installed, these will be sockets U1 and U3 as shown in the Figure 1 above. If your PK-232 MBX does not have a daughter board installed, these will be sockets U2 and U3 as shown in Figure 2 above.

Step 7:

If you have a daughter board, remove the EPROM chip from U1 and U3 ONLY.

NOTE: DO NOT REMOVE THE RAM CHIP IN SOCKET U5.

If the PK-232 MBX does not have a daughter board, remove the chip from U2 and U3.

Note: Don't worry if your PK-232 MBX does not have an EPROM installed in U3.

Remove the IC chips from the PK-232 carefully by inserting the blade of a small straight-blade screwdriver between the EPROM and the socket, and gently lifting.

CAUTION: DO NOT TRY TO PRY THE SOCKET OFF THE BOARD. Be sure that you are working with the EPROM itself.

Step 8:

Install the new EPROM chip marked PK-232 MBX (LOW) in the lower numbered socket that you just removed a chip from. Make sure that the semicircular notch is positioned towards the left of the board as shown in the drawings above. Then install the EPROM chip marked PK-232 MBX (HIGH) in the higher numbered socket again making sure that the notch in the chip is positioned towards the left.

CAUTION: Installing an EPROM backward WILL destroy the chip.

Step 9:

Replace the top cover of the PK-232 MBX with the six screws removed earlier.

This completes the installation of the PK-232 MBX firmware.