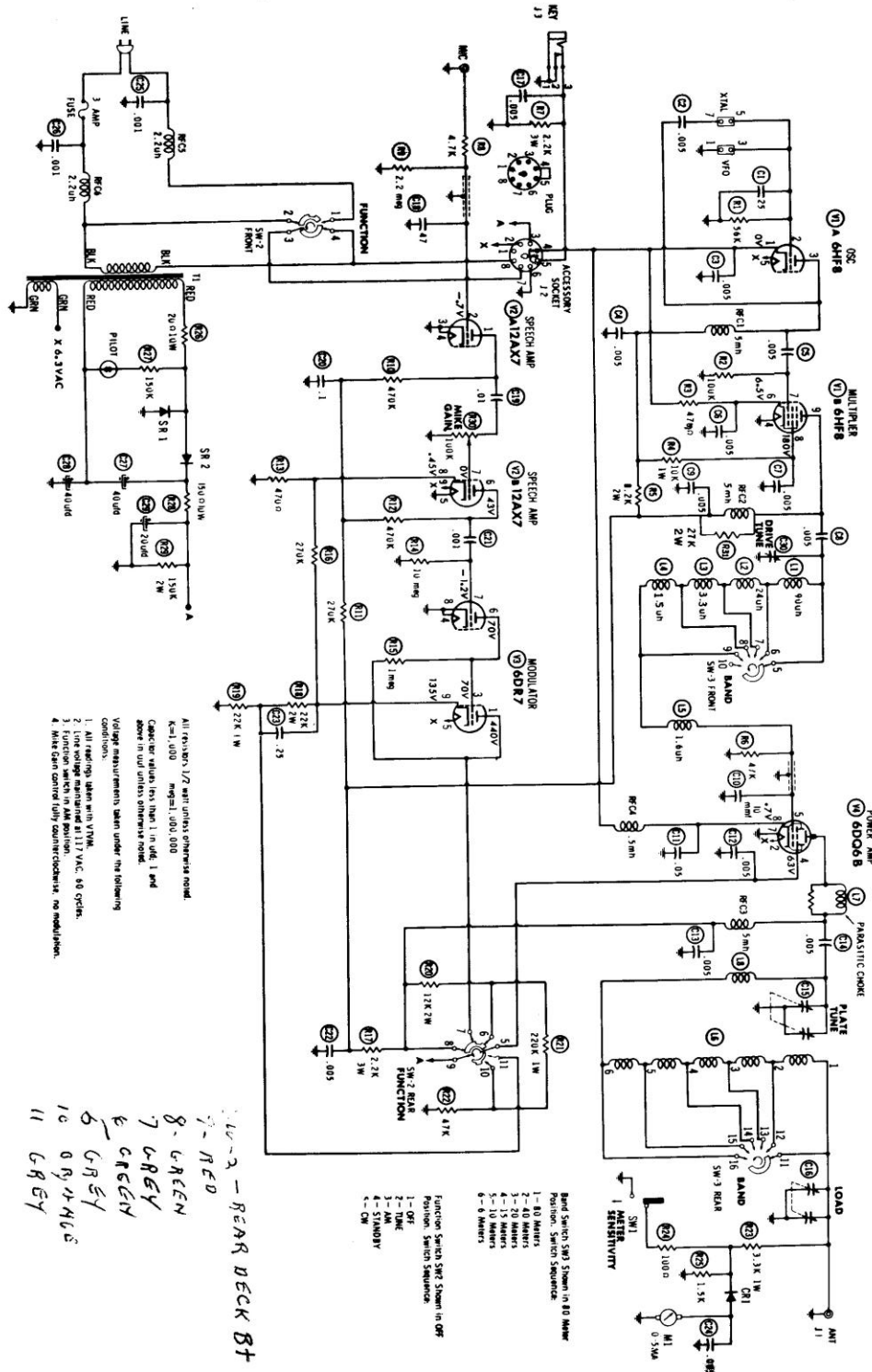


**SCHEMATIC**



DO NOT ATTEMPT TO TAKE VOLTAGE MEASUREMENTS AT POINTS OF HIGH RF POTENTIAL

- Band Switch SM-3** Set to 80 MHz
- 1 - 80 MHz
  - 2 - 80 MHz
  - 3 - 20 MHz
  - 4 - 15 MHz
  - 5 - 6 MHz
- Function Switch SM-2** Set to OFF
- 1 - OFF
  - 2 - LINE
  - 3 - 11
  - 4 - 12
  - 5 - 13
  - 6 - 14
  - 7 - 15
  - 8 - 16
  - 9 - 17
  - 10 - 18
  - 11 - 19

- All resistors 1/2 watt unless otherwise noted.  
 K=1,000    M=100,000  
 Capacitor values less than 1 in whole and above in odd fractions otherwise noted.
- Voltage measurements taken under the following conditions:
1. All voltages taken with VTVM, V.C., 80 cycles.
  2. Line voltage maintained at 117 VAC, 60 cycles.
  3. All voltages taken with VTVM, V.C., 80 cycles.
  4. White can control fully counter-clockwise, no modulation.

10-2 - REAR DECK BT  
 8 - GREEN  
 7 - GREEN  
 6 - GREEN  
 5 - GRAY  
 10 - GRAY  
 11 - GRAY

OUT PUT METER  
 20 X 3/4  
 0-5m