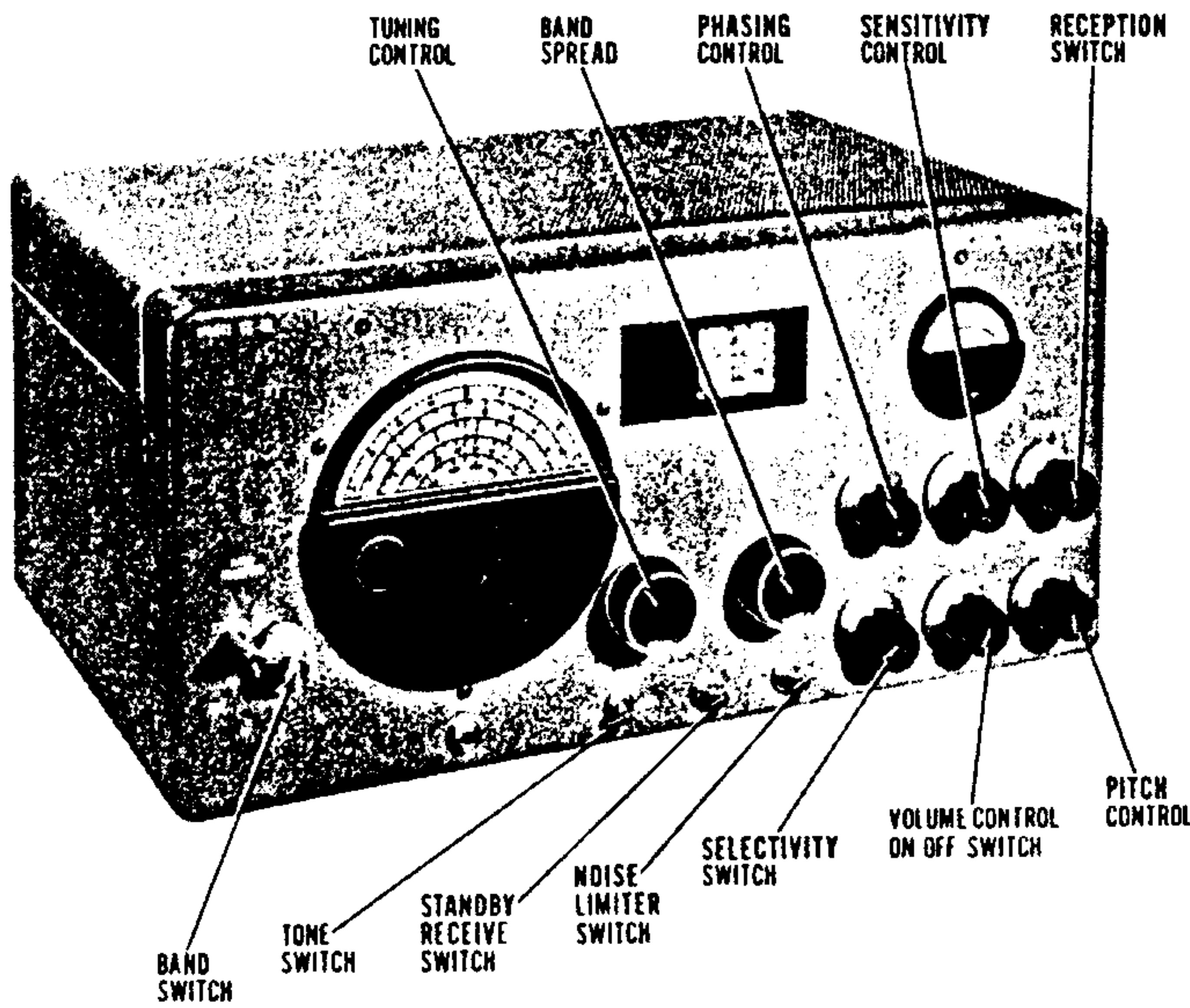


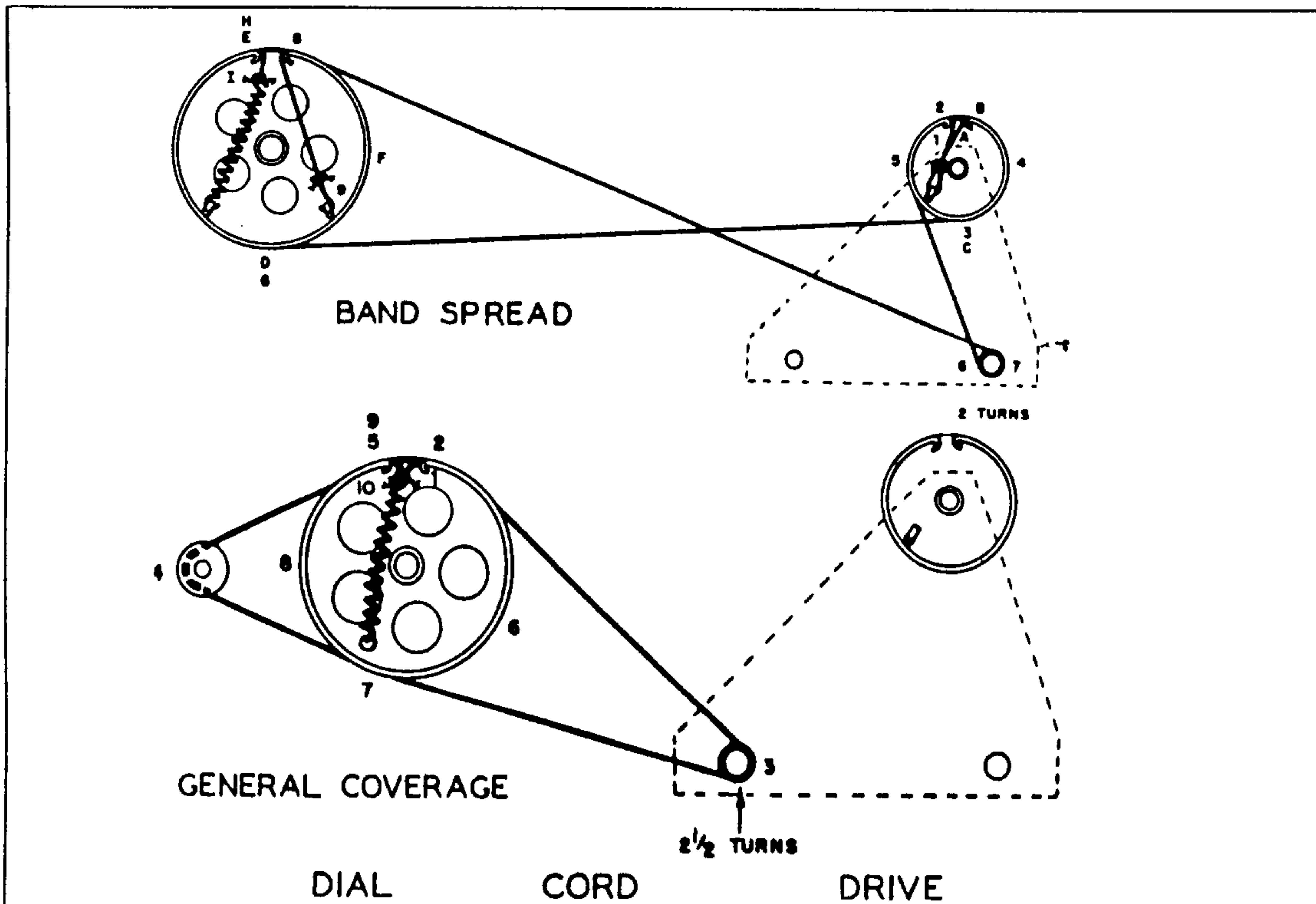
HALLICRAFTERS MODEL SX-43



HALLICRAFTERS MODEL SX-43

TRADE NAME	Hallcrafters, Model SX-43		
MANUFACTURER	Hallcrafters Co., 5th & Kostner Avenues, Chicago 24, Ill.		
TYPE SET	AC Operated Multi-Band AM-FM Commercial Communications Receiver		
TUBES (ELEVEN)	Types, 6BA6 RF Amp., 7F8 Converter, 6SG7 1st IF Amp., 6SH7 2nd IF-2nd Mixer, 6SH7 3rd IF Amp., 6AL5 FM Ratio Det., 6H6 AM Det., 6J5 BFO-2nd Osc., 6SQ7 AF Amp., 6V6GT Power Output, 5Y3GT Rectifier.		
POWER SUPPLY	105-125 Volts AC		
RATING	.68 Amp. @ 117 Volts AC		
TUNING RANGE-BROADCAST	540-1700KC	SHORT WAVE	1.7-5MC, 5-16MC, 14-14.4MC, 15.5-44MC, 44-55MC
		FREQ. MOD.	44-55MC, 86-109MC

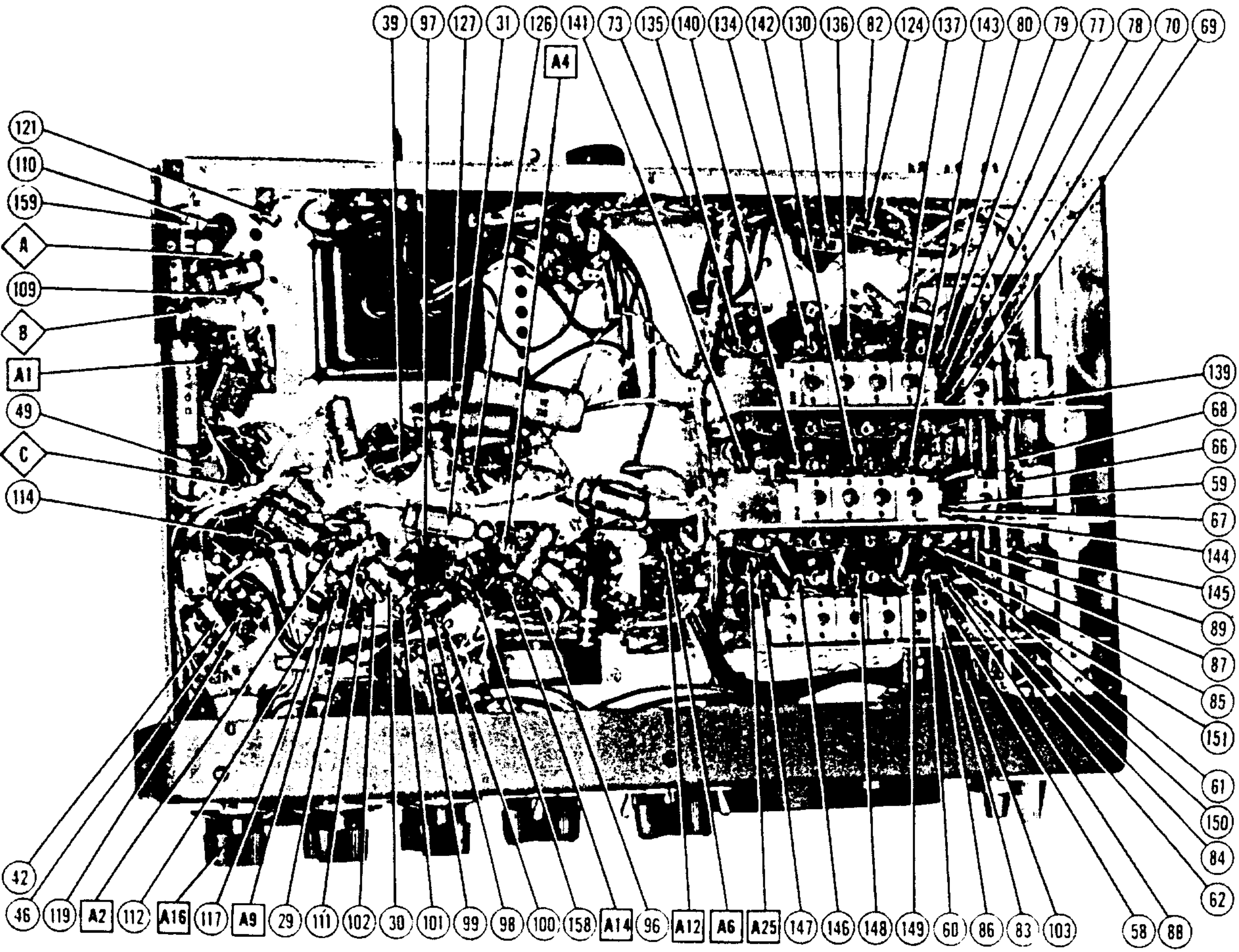
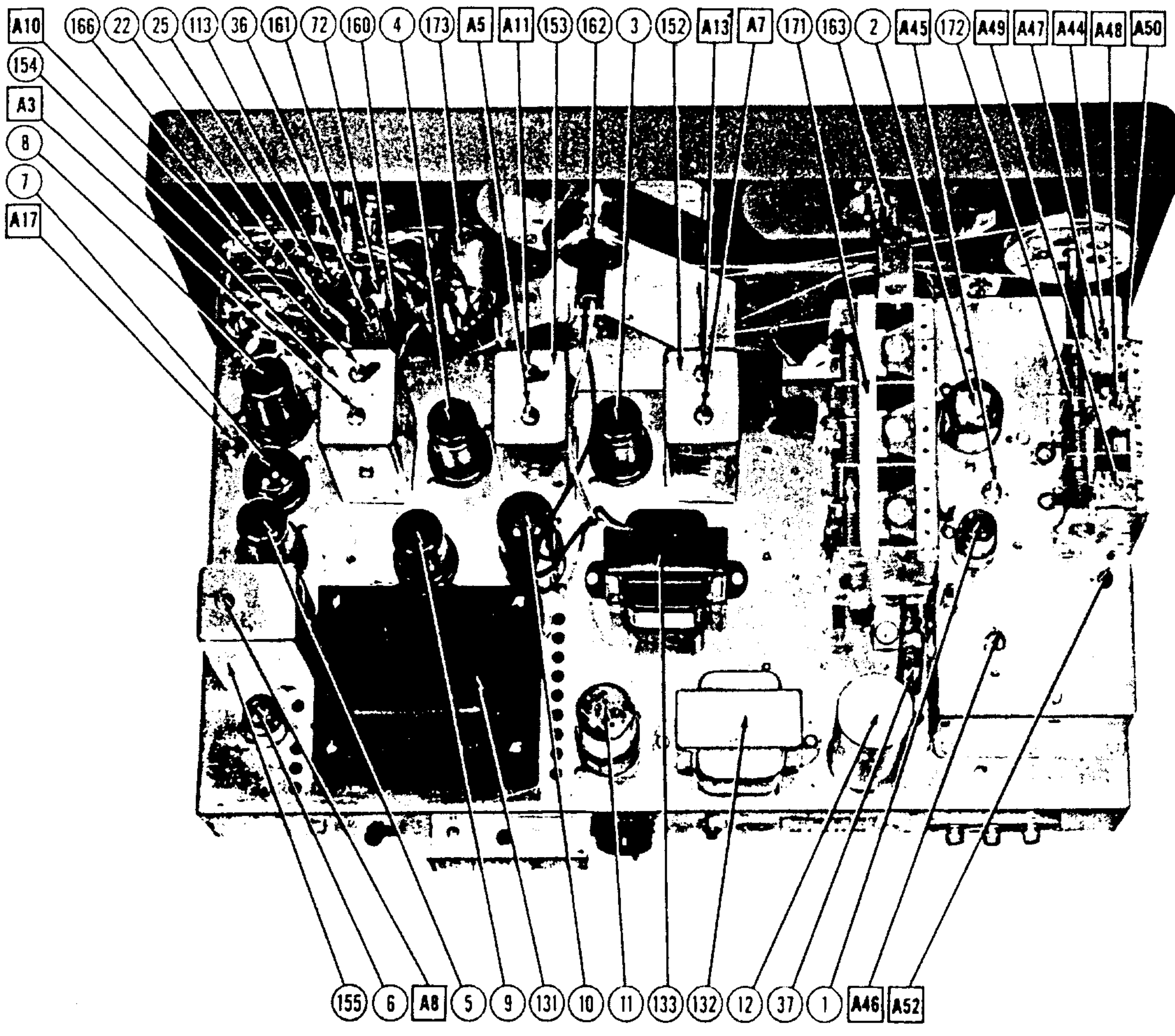
HALLICRAFTERS MODEL SX-43

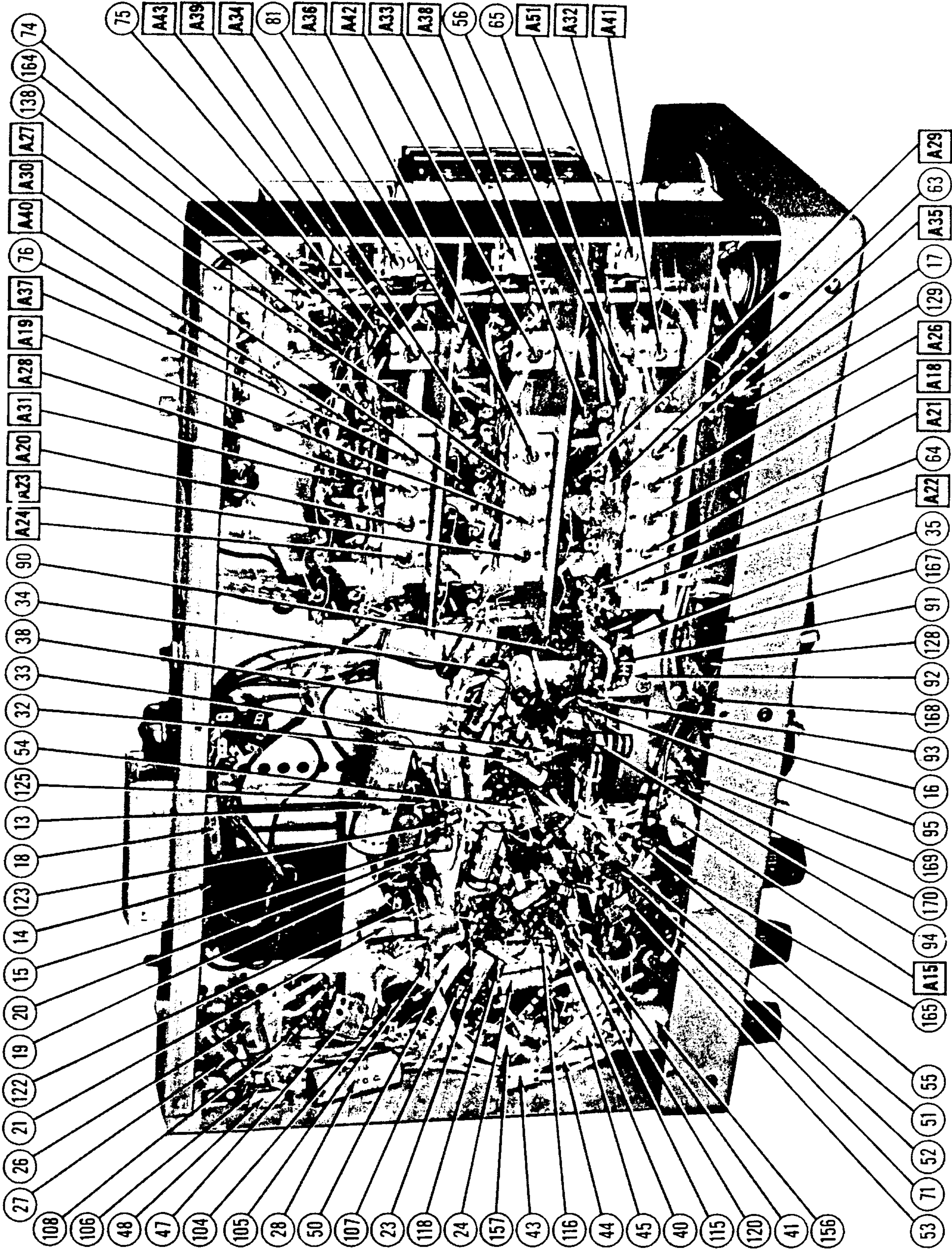


HOWARD W. SAMS & CO., INC. • 2924 East Washington Street • Indianapolis 7, Indiana

"The listing of any available replacement part herein does not constitute in any case a recommendation, warranty or guaranty by Howard W. Sams & Co., Inc., as to the quality and suitability of such replacement part. The numbers of these parts have been compiled from information furnished to Howard W. Sams & Co., Inc., by the manufacturers of the particular type of replacement part listed." "Reproduction or use, without express permission, of editorial or pictorial con-

tent, in any manner, is prohibited. No patent liability is assumed with respect to the use of the information contained herein. Copyright 1948 by Howard W. Sams & Co., Inc., Indianapolis, Indiana, U. S. A. Copyright under International Copyright Union. All rights reserved under Inter-American Copyright Union (1910) by Howard W. Sams & Co., Inc." Printed in U. S. of America





PARTS LIST AND DESCRIPTIONS

TUBES (SYLVANIA or Equivalent)

ITEM No.	USE	REPLACEMENT DATA			RMA BASE TYPE	INS. INSTALLATION NOTES
		HALLICRAFTERS PART No.	STANDARD REPLACEMENT	CORNEILL DUBILIER PART No.		
1	RF Amp.	6BA6	6BA6	JF222245	7BK	
2	Converter	7F8	7F8	PR3450-40	8BW	
3	1st IF Amp.	6SG7	6SG7	484-01	8BK	
4	2nd IF-2nd Mixer	6SH7	6SH7	684-005	8BK	
5	3rd IF Amp.	6SH7	6SH7	684-002	8BK	
6	FM Ratio Det.	6AL5	6AL5	484-01	8BT	
7	AM Det.	6H6	6H6	484-01	7Q	
8	BFO-2nd Osc.	6J5	6J5	484-01	6Q	
9	AF Amp.	6SQ7	6SQ7	484-01	8Q	
10	Power Output	6V6GT	6V6GT	484-01	7AC	
11	Rectifier	5Y3GT	5Y3GT	484-01	5T	

CAPACITORS

Capacity values given in the rating column are in mfd. for Electrolytic and Paper Capacitors, and in mmfd. for Mica and Ceramic Capacitors.

ITEM No.	RATING	REPLACEMENT DATA			IDENTIFICATION AND INSTALLATION NOTES
		HALLICRAFTERS PART No.	AEROVOX PART No.	SOLAR PART No.	
12A	60 CAP.	45B113	AF444J	3x20-450	Filter
13	20	42A033	PR3450-40	M-40-450	Cathode Bypass
14	25	46AW103J	484-01	MPH-4-01	Line Filter
15	0.005	45AY502J	684-005	ST-6-005	Tone Compensation
16	0.02	46AY203J	684-02	ST-6-02	"
17	0.005	46AY502J	684-005	ST-6-005	"
18	1	46AU104J	484-01	ST-2-1	Filament Bypass
19	0.05	46AY503J	684-05	ST-6-05	Output Screen Bypass
20	0.02	46AW203J	484-02	ST-4-02	Audio Coupling
21	0.005	46AW502J	484-005	ST-6-005	"
22	0.02	46AW203J	484-02	ST-4-02	"
23	0.05	46AU503J	484-05	ST-4-05	AVC Filter
24	0.02	46AW203J	484-02	ST-4-02	Audio Coupling
25	0.01	46AW103J	484-01	ST-4-01	AVC Filter
26	0.05	46AU503J	484-05	ST-4-05	Diode Load Cap.
27	0.05	46AU503J	484-05	ST-4-05	"
28	0.05	46AU503J	484-05	ST-4-05	"
29	0.01	46AW254J	484-25	ST-4-25	3rd IF Screen Bypass
30	0.01	46AW103J	484-01	ST-4-01	2nd IF Plate Decoupling
31	0.05	46AU503J	484-05	ST-4-05	2nd IF Screen Bypass
32	0.01	46AW103J	484-01	ST-4-01	2nd IF Cathode Bypass
33	0.01	46AW103J	484-01	ST-4-01	1st IF Plate Decoupling
34	0.01	46AW103J	484-01	ST-4-01	1st IF Screen Bypass
35	0.01	46AW103J	484-01	ST-4-01	AVC Filter
36	0.02	46AW203J	484-02	ST-4-02	Conv. Plate Decoupling
37	0.05	46AU503J	484-05	ST-4-05	RF Gain Control Bypass
38	0.05	46AU503J	484-05	ST-4-05	AVC Filter
39	100	CC25UK101K	1468-0001	MO-5-31	1st IF Cathode Bypass
40	100	CC25UK101K	1468-0001	MO-5-31	AF Plate Bypass-Cer.
41	100	CC25UK101K	1468-0001	MO-5-31	Diode RF Filter-Cer.
42	10000	47A167	684-01	ST-6-01	BFO Coupling - Cer.
43	270	CH20A271J	1468-0003	MO-5-33	Fixed Trimmer
44	100	CC25UK101K	1468-0001	MO-5-31	BFO Grid Cap.-Cer.
45	470	CH20A471J	1468-0005	MO-5-35	Fixed Trimmer
46	2	47A160-4	1467-001	MM-5-21	2nd Osc. Coupling-Cer.
47	1000	CH20A102K	1467-001	MM-5-21	RF Bypass
48	1000	CH20A102K	1467-001	MM-5-21	"
49	5000	47A168	684-005	MM-5-25	De-emphasis
50	220	CH20A221K	1468-00025	MO-5-325	3rd IF Decoupling-Cer.
51	5000	47A168	684-005	MM-5-25	IF Coupling
52	5000	46AW502J	684-005	MM-5-25	RF Gain Control Byp.-Cer.
53	820	CH25A821K	1479-0008	MM-5-38	Diode RF Filter
54	22	CH20A220K	1468-00025	MO-5-425	RF Coupling
55	15	CC20UK150K	1468-00025	MO-5-425	Fixed Trimmer-Cer.
56	22	CH20A220K	1467-001	MM-5-215	Conv. Plate Bypass
57	1500	47A161	484-01	ST-6-01	RF Byp. Power Supply-Cer.
58	10000	47A167	484-01	ST-6-01	See Note
59	220	CH20B221K	1468-00025	MO-5-325	Conv. Cathode Byp.-Cer.

PARTS LIST AND DESCRIPTIONS (Continued)

RESISTORS

ITEM No.	RATING	REPLACEMENT DATA		IDENTIFICATION CODES
		HALLICRAFTERS PART No.	IRC PART No.	
112	2-2 Meg.	RC20AE225K	BTS-2.2 Meg.	Red-Red-3rn. 2% 1/2 Watt
113	150Ω	RC20AE151K	BTS-150Ω	Br.-Grn.-Br. 1/2 Watt
114	2.7 Meg.	RC20AE275K	BTS-2.7 Meg.	Red-Vl.-3rn. Noise Limiter Load
115	82KΩ	RC20AE823K	BTS-82K	Gray-Red-Or. 1/2 Watt
116	1 Meg.	RC20AE105K	BTS-1 Meg.	Br.-Blk.-Grn. Noise Limiter Bias Network
117	250KΩ	23BX2543	BTS-250K	Red-Grn.-Vl. Noise Limiter Load
118	1 Meg.	RC20AE105K	BTS-1 Meg.	Br.-Blk.-Grn. Noise Limiter Bias Network
119	47KΩ	RC20AE473K	BTS-47K	Vl.-Vl.-Or. 1/2 Watt
120	15KΩ	RC30AE153K	BTA-15K	Br.-Grn.-Or. 1/2 Watt
121	470KΩ	RC20AE474K	BTS-470K	Vl.-Vl.-Vl. 1/2 Watt
122	15 Meg.	RC20AE156K	BTS-15 Meg.	Br.-Grn.-Blue 1/2 Watt
123	220KΩ	RC20AE224K	BTS-220K	Red-Red-Vl. AF Plate Load
124	1000Ω	RC30AE102K	BTA-1000	Br.-Blk.-Red. Output Screen Dropping
125	470KΩ	RC20AE474K	BTS-470K	Vl.-Vl.-Vl. Output Grid
126	270Ω	RC30AE271K	BW-1-270	Red-Vl.-Br. Output Cathode
127	33KΩ	RC30AE333K	BTA-33K	Or.-Or.-Or. 1/2 Watt
128	1000Ω	RC30AE102K	BTA-1000	Br.-Blk.-Red. 1/2 Watt
129	470Ω	RC30AE471K	BTA-470	Vl.-Vl.-Br. Head shunt
130	4700Ω	RC30AE472K	BTA-4700	Vl.-Vl.-Red. 1/2 Watt

TRANSFORMER (POWER)

ITEM No.	RATING	REPLACEMENT DATA		STANCOR PART No.	THORDARSON PART No.	MERIT PART No.
		HALLICRAFTERS PART No.	SEC. 3			
131	117V AC 550V CT 5.2V AC 6.3V AC @ 4.0A @ .74A	52C143	SEC. 3	P-6313		P-29537

†Add series resistor to reduce plate voltage.

FILTER CHOKE

ITEM No.	RATINGS	REPLACEMENT DATA		STANCOR PART No.	THORDARSON PART No.	MERIT PART No.	INSTALLATION NOTES
		HALLICRAFTERS PART No.	INDUCTANCE (1000 μ)				
132	TOTAL DIRECT CURRENT 0.052A DC 290Ω	56B067	17 Henries	C-1709	C-29063	C-29901	†Drill one new mounting hole.

TRANSFORMER (OUTPUT)

ITEM No.	RATING	REPLACEMENT DATA		STANCOR PART No.	THORDARSON PART No.	MERIT PART No.	INSTALLATION NOTES
		HALLICRAFTERS PART No.	DC RES.				
133	IMPEDANCE 4000Ω 500Ω 500Ω	55B095	DC RES. 360Ω 36Ω				

R F COILS

ITEM No.	USE	REPLACEMENT DATA		STANCOR PART No.	THORDARSON PART No.	MERIT PART No.	INSTALLATION NOTES
		HALLICRAFTERS PART No.	DC RES.				
134	Ant. Coil	51B928	5Ω				
135	"	51B927	1.5Ω				
136	"	51B926	.3Ω				
137	"	51B925	.1Ω				
138	"	51B924	.02				
139	"	51B923	.02				
140	RF Coil	51B934	.1Ω				
141	"	51B933	.1Ω				
142	"	51B932	.1Ω				
143	"	51B931	.02				
144	"	51B930	.02				
145	"	51B929	.02				
146	Osc.	51B935	5.3Ω				
147	"	51B936	1.6Ω				
148	"	51B937	.4Ω				

PARTS LIST AND DESCRIPTIONS (Continued)

CAPACITORS

Capacity values given in the rating column are in mfd. for Electrolytic and Paper Capacitors, and in mmfd. for Mica and Ceramic Capacitors.

ITEM No.	RATING		REPLACEMENT DATA			IDENTIFICATION CODES AND INSTALLATION NOTES		
	CAP.	VOLT	HALLICRAFTER PART No.	AEROVOX PART No.	CORNEL DUBILIER PART No.		SOLAR PART No.	SPRAGUE PART No.
60	Temp.	Comp.	44A158					
61	51	500	C220UK510K	1468-00005	5W5Q5	MO.5-45	1FM-45	Osc. Plate Bypass
62	100	500	C220UK101K	1468-00001	5W5T1	MO.5-31	1FM-31	Osc. Grid Cap.-Cer.
63	3900	500	CY35A392J					Osc. Coupling-Cer.
64	1500	500	CM30A152J	1464-0015	1R5D15	MM.5-215		Fixed Pad.
65	15	500	C220UK150K					Fixed Trimmer-Cer.
66	25	500	47A141	1468-00025	5W5Q25	MO.5-425	MS-425	RF Coupling-Cer.
67	25	500	47A141	1468-00025	5W5Q25	MO.5-425	MS-425	RF Coupling-Cer.
68	1500	350	47A61	1467-0015	1W5D15	MM.5-215	1FM-215	RF Decoupling-Cer.
69	1500	350	47A61	1467-0015	1W5D15	MM.5-215	1FM-215	RF Screen Bypass-Cer.
70	10000	350	47A167	684-01	DT6S1	ST-6-01	TC-11	RF Cathode Bypass-Cer.

Note-Not used in some models.

CONTROLS

ITEM No.	RATING		REPLACEMENT DATA			INSTALLATION NOTES
	RESISTANCE	WATTS	HALLICRAFTER PART No.	CLAROSTAT PART No.	IRC PART No.	
71A	2 Meg.	1	25B601	M-66-Z	M-139	Volume Control
B	Shaft		Not Req.	Not Req.	A	Attach to 71A per instructions
C	Switch			SW-A	41	
72A	10K Ω	1	25B577	M-30-V	D16-116	Sensitivity Control
B	Shaft		Not Req.	Not Req.	A	Attach to 72A per instructions
73	500 Ω	1	25A569	43-500	M-500	"S" Meter Control

RESISTORS

ITEM No.	RATING		REPLACEMENT DATA			IDENTIFICATION CODES
	RESISTANCE	WATTS	HALLICRAFTER PART No.	IRC PART No.	IRC PART No.	
74	47 Ω	1/4	RC20AE470K			Y1.-V1.-Blk. Ant. Loading
75	27 Ω	1/4	RC20AE270K			Red-V1.-Blk. Parasitic Suppressor
76	1 Meg.	1/4	RC20AE105K			Br.-Blk.-Grn. AVC Network
77	5.6 Ω	1/4	23A011			Grn.-Blue-Gold Par. Suppressor
78	68 Ω	1/4	RC20AE680K			Blue-Gray-Blk. RF Cathode
79	27K Ω	1/4	RC30AE273K			Red-V1.-Or. Bleeder
80	15K Ω	1/4	RC40AE153K			Br.-Grn.-Or. RF Screen Dropping
81	5.6 Ω	1/4	23A011			Grn.-Blue-Gold Par. Suppressor
82	1000 Ω	1/4	RC20AE102K			Br.-Blk.-Red Decoupling
83	47 Ω	1/4	RC20AE470K			Y1.-V1.-Blk. Par. Suppressor
84	33 Ω	1/4	RC20AE330K			Or.-Or.-Blk.
85	22K Ω	1/4	RC20AE223K			Red-Red-Or. Osc. Grid
86	10K Ω	1/4	RC30A3103K			Br.-Blk.-Or. Osc. Plate Load
87	2.2 Meg.	1/4	RC20AE225K			Red-Red-Grn. Conv. Grid
88	1000 Ω	1/4	RC20AE102K			Br.-Blk.-Red Conv. Cathode
89	15 Ω	1/4	RC20AE150K			Br.-Grn.-Blk. Par. Suppressor
90	10 Ω	1/4	RC20AE100K			Br.-Blk.-Blk.
91	47K Ω	1/4	RC30AE473K			Y1.-V1.-Or. Conv. Plate Dropping
92	22K Ω	1/4	RC20AE223K			Red-Red-Or. Bleeder
93	82 Ω	1/4	RC20AE820K			Gray-Red-Blk. 1st IF Cathode
94	15K Ω	1/4	RC40AE153K			Br.-Grn.-Or. 1st IF Screen
95	27K Ω	1/4	RC30AE273K			Red-V1.-Or. Bleeder
96	3300 Ω	1/4	RC20AE332K			Or.-Or.-Red 1st IF Plate Decoupling
97	1 Meg.	1/4	RC20AE105K			Br.-Blk.-Grn. 2nd IF Grid
98	82 Ω	1/4	RC20AE820K			Gray-Red-Blk. Series "S" Meter
99	150 Ω	1/4	RC20AE151K			Br.-Grn.-Br. 2nd IF Cathode
100	680 Ω	1/4	RC20AE681K			Blue-Gray-Br. 2nd IF Cathode
101	33K Ω	1/4	RC30AE333K			Or.-Or.-Or. 2nd IF Screen
102	3300 Ω	1/4	RC20AE332K			Br.-Blk.-Red 2nd IF Plate Decoupling
103	1000 Ω	1/4	RC20AE102K			Red-Red-Y1. 3rd IF Grid
104	220K Ω	1/4	RC20AE224K			Br.-Blk.-Grn. AVC Network
105	1 Meg.	1/4	RC20AE105K			Br.-Grn.-Br. Par. Suppressor
106	150 Ω	1/4	RC20AE151K			Br.-Blk.-Y1. 3rd IF Decoupling
107	100K Ω	1/4	RC30AE104K			Br.-Blk.-Y1. De-emphasis
108	100K Ω	1/4	RC20AE104K			Br.-Blk.-Y1. Ratio Det. Diode Load
109	100K Ω	1/4	RC20AE104K			Br.-Blk.-Y1.
110	100K Ω	1/4	RC20AE104K			Br.-Blk.-Y1.
111	100K Ω	1/4	RC20AE104K			Br.-Blk.-Y1. AM Diode Filter

PARTS LIST AND DESCRIPTIONS (Continued)

R F COILS

ITEM No.	USE	DC RES.		REPLACEMENT DATA		MEISSNER PART No.	INSTALLATION NOTES
		PRI.	SEC.	HALLICRAFTER PART No.	HALLICRAFTER PART No.		
149	Osc. Coil 4	.1 Ω	0 Ω	51B936			
150	" 5	0 Ω	0 Ω	51B935			
151	" 6	0 Ω	0 Ω	51B941			
152	1st IF AM	2.5 Ω	6.8 Ω	50C212			*Includes both secondaries.
153	2nd IF AM	1.2 Ω	1.2 Ω	50C213			*Includes both primaries.
154	3rd IF AM	1 Ω *	7.8 Ω	50C214			
155	FM Det.	9.6 Ω *	.1 Ω	50C208			
156	FM Trans.	2 Ω	.7 Ω	54B033-1			
157	1st BFO Coil		1.2 Ω	51B984			
158	Ind. Osc.		14 Ω	53A108			
159	RF Choke		3.2 Ω	53B009			
160	"		.2 Ω	53A107			
	"		9.5 Ω				

DIAL LIGHT

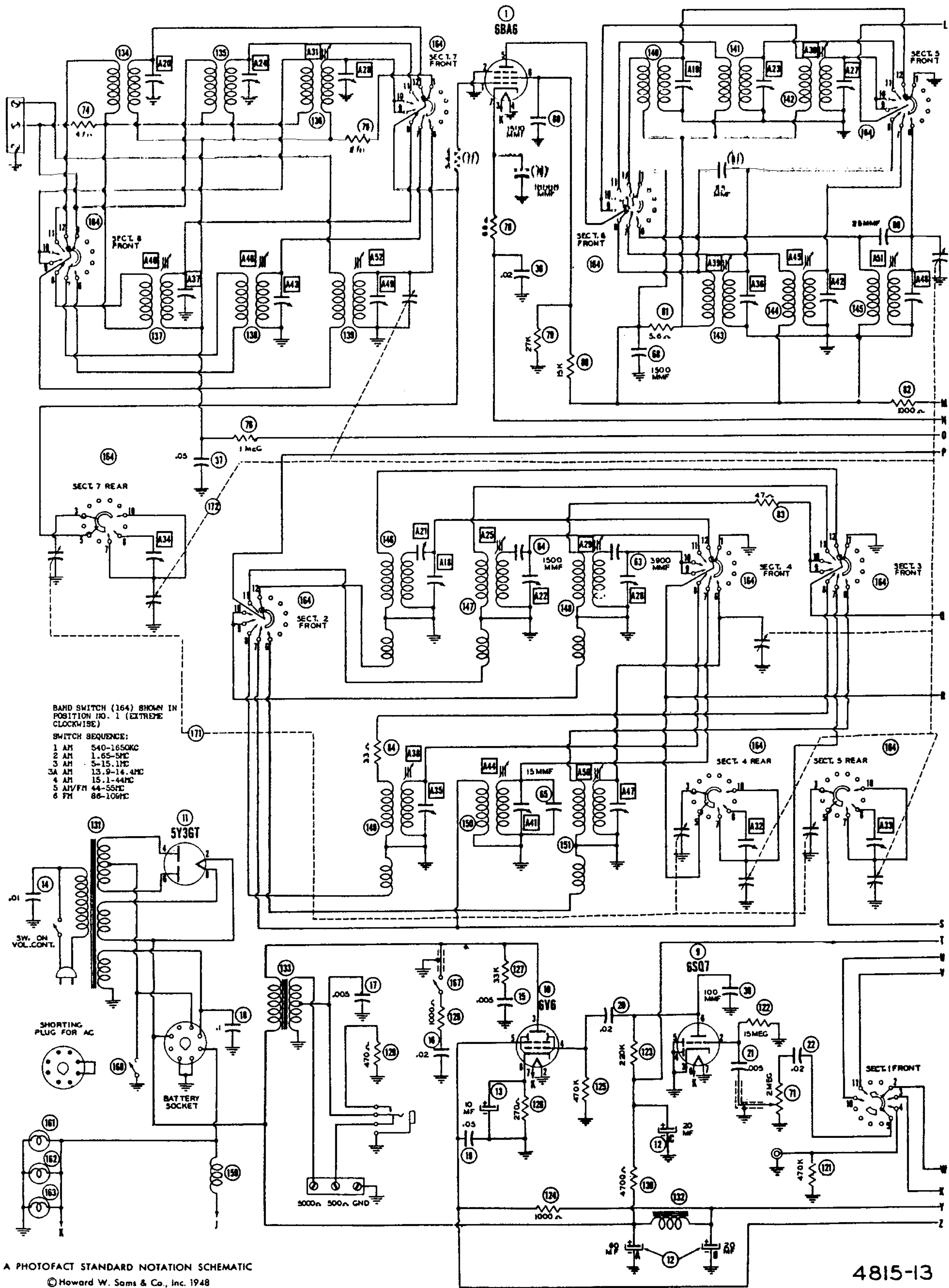
ITEM No.	BASE TYPE	VOLTS	AMPS.	BEAD COLOR	REPLACEMENT DATA		INSTALLATION NOTES
					HALLICRAFTER PART No.	HALLICRAFTER PART No.	
161	Bayonet	6-8	0.15	Brown			Type 47
162	"	"	0.25	Blue	39A004		Type 44

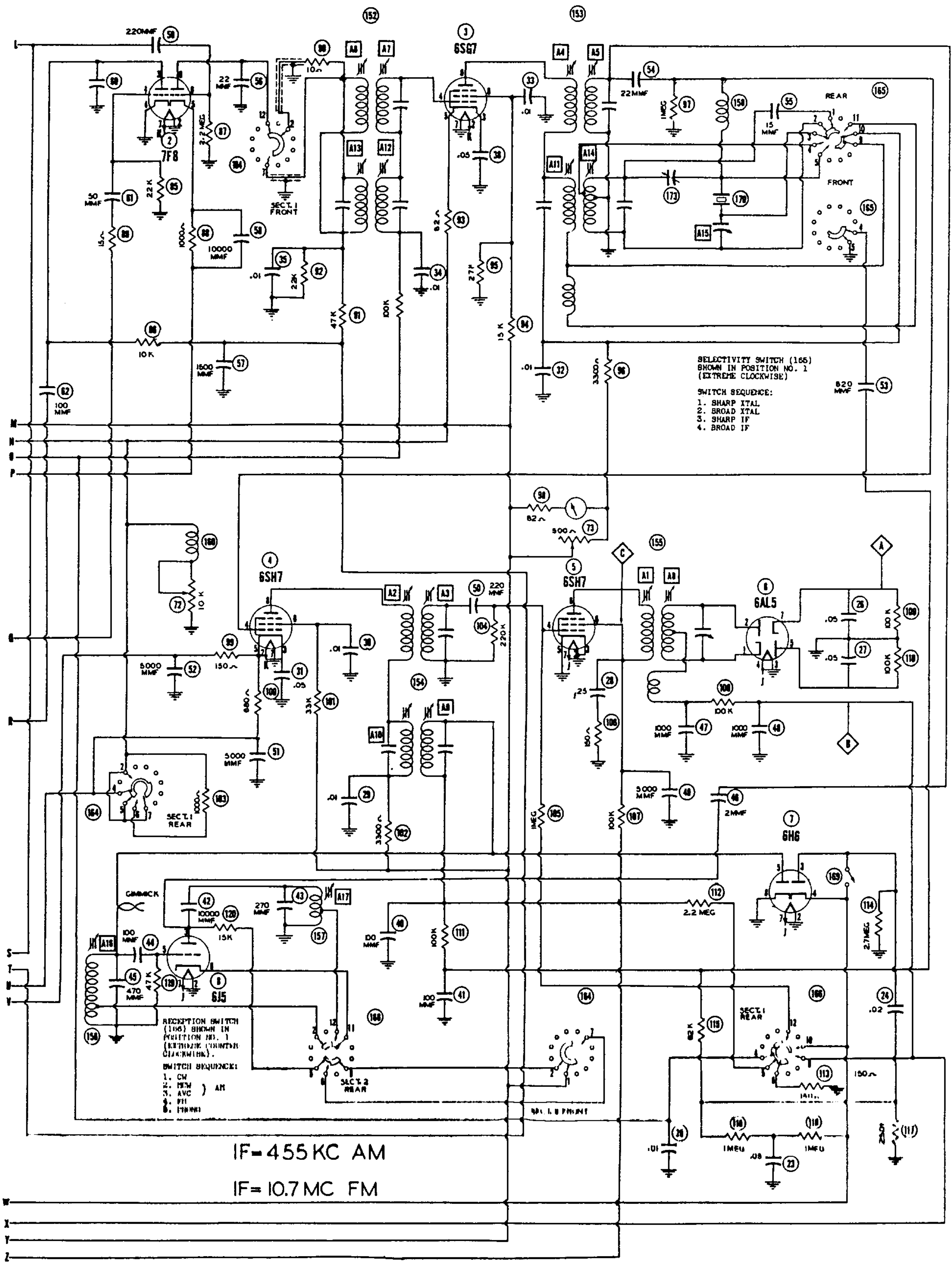
MISCELLANEOUS

ITEM No.	PART NAME	HALLICRAFTER PART No.	NOTES
164	Switch	60C261	Band Selectivity
165	"	60B263	Reception
166	"	60B262	Tone
167	"	60A138	Standby-Receive
168	"	60A138	Noise Limiter
169	"	60A138	455KC
170	Crystal	19A123	(15-475MFD) Each section (AM)
171	3 Gangs Var. Cap	48C174	(Bandspread-FM)
172	"	48C173	
173	Phase Control Capacitor	48A182	
	Trimmer	44A047	A15
	Trimmer Strip	44B197	A18, A21, A22, A26, A35
	Assby.	44B199	A19, A23, A27, A36
	"	44B199	A20, A24, A28, A37
	"	44A047	A32, A33, A34, A48, A49
	Trimmer	44A200	A41, A42, A43
	"	44A115	A47
	Meter	82B125	Carrier Level

REPLACING LAMPS

The two dial lamps and meter lamp are accessible through the hinged cabinet cover. Remove two screws holding the metal light shield to expose the dial lamps. Replace these with 6-8V. 250MA. GE. #44 (Blue bead) or equivalent. The carrier level meter lamp is made accessible by removing the four screws holding the protective cover located directly behind the meter. Replace this lamp with a 6-8 V. 150 MA. #47 (Brown bead) or equivalent. Do not use a 250 MA. lamp in the meter housing as the excessive heat will discolor the meter scale.





SELECTIVITY SWITCH (165)
SHOWN IN POSITION NO. 1
(EXTREME CLOCKWISE)

SWITCH SEQUENCE:
1. SHARP IFTAL
2. BROAD IFTAL
3. SHARP IFT
4. BROAD IFT

RECEPTION SWITCH (166)
SHOWN IN POSITION NO. 1
(EXTREME COUNTERCLOCKWISE)

SWITCH SEQUENCE:
1. CN
2. PFM
3. AVC
4. PFI
5. PFM

IF = 455 KC AM
IF = 10.7 MC FM

VOLTAGE AND RESISTANCE READINGS TAKEN IN BROADCAST POSITION.

VOLTAGE READINGS

Item	Tube	Pin 1	Pin 2	Pin 3	Pin 4	Pin 5	Pin 6	Pin 7	Pin 8
1	6BA6	0V.	0V.	6.3VAC	0V.	250VDC	120VDC	8VDC	-
2	7F8	-2VDC§	0V.	180VDC	0V.	.6VDC	65VDC	6.3VAC	-.5VDC
3	6SQ7	0V.	6.3VAC	1.6VDC	0V.	1.6VDC	155VDC	0V.	260VDC
4	6SH7	0V.	6.3VAC	4.6VDC	0V.	4.6VDC	225VDC	0V.	270VDC
5	6SH7†	0V.	0V.	0V.	-.4VDC	0V.	35VDC	6.3VAC	35VDC
6	6AL5†	0V.	0V.	0V.	6.3VAC	.4VDC	0V.	-.4VDC	-
7	6H6	0V.	0V.	0V.	0V.	-.5VDC	0V.	6.3VAC	0V.
8	6J5**	0V.	0V.	160VDC	0V.	-6.4VDC§	0V.	6.3VAC	0V.
9	6SQ7	0V.	-.4VDC	0V.	0V.	0V.	120VDC	0V.	6.3VAC
10	6V6GT	0V.	0V.	280VDC	270VDC	0V.	240VDC	6.3VAC	12.5VDC
11	6Y3GT	0V.	290VDC	0V.	265VAC	0V.	265VAC	0V.	290VDC

§TAKEN WITH VACUUM TUBE VOLTMETER.

RESISTANCE READINGS

Item	Tube	Pin 1	Pin 2	Pin 3	Pin 4	Pin 5	Pin 6	Pin 7	Pin 8
1	6BA6	3.6 Meg.	0Ω	.1Ω	0Ω	20KΩ	15KΩ	.78Ω	-
2	7F8	22KΩ	0Ω	30KΩ	0Ω	1KΩ	20KΩ	.1Ω	2.2 Meg.
3	6SQ7	0Ω	.1Ω	92Ω	2.6 Meg.	92Ω	15KΩ	0Ω	24KΩ
4	6SH7	0Ω	.1Ω	690Ω	5Ω	690Ω	50KΩ	0Ω	24KΩ
5	6SH7†	0Ω	0Ω	0Ω	220KΩ	0Ω	120KΩ	.1Ω	120KΩ
6	6AL5†	INF.	INF.	0Ω	.1Ω	100KΩ	0Ω	100KΩ	-
7	6H6	0Ω	0Ω	1.3 Meg.	1.3 Meg.	400KΩ	0Ω	.1Ω	0Ω
8	6J5**	0Ω	0Ω	25KΩ	0Ω	47KΩ	0Ω	.1Ω	4Ω
9	6SQ7	0Ω	15 Meg.	0Ω	0Ω	0Ω	240KΩ	0Ω	.1Ω
10	6V6GT	0Ω	0Ω	20KΩ	21KΩ	470KΩ	20KΩ	.1Ω	280Ω
11	6Y3GT	INF.	20KΩ	INF.	70Ω	INF.	65Ω	INF.	20KΩ

† VOLTAGE AND RESISTANCE READINGS TAKEN IN FM POSITION.

RECEIVE-STANDBY SWITCH IN RECEIVE POSITION.

**TAKEN IN CW POSITION. NOISE LIMITER OFF.

SENSITIVITY CONTROL FULL ON.

SELECTIVITY CONTROL FULL ON.

OLUME HIGH.

- 1 - (X) Voltage measurements are at 20,000 ohms per volt; A0 Voltages measured at 1000 ohms per volt.
- † - Socket connections are shown as bottom views.
- § - Measured values are from socket pin to common negative.
- 4 - Line voltage maintained at 117 volts for voltage readings.
- h - Nominal tolerance on component values taken possible a variation of ± 1% in voltage and resistance readings.
- 6 - Volume control at maximum, no signal applied for voltage measurements.

STAGE GAIN MEASUREMENTS

ANTENNA TO RF GRID	2X	600KC
RF GRID TO CONV. GRID	2X	600KC
CONVERSION GAIN	15X	IN 600KC OUT 455KC
INPUT IF TRANSFORMER	1.5X	455KC
1st IF TUBE	175X	455KC
INTER IF TRANS.	.1X	455KC
2nd IF TUBE	200X	455KC
OUTPUT IF TRANS.	.3X	455KC
AUDIO	35X	400 ~
OUTPUT	28X	400 ~

The stage gain measured values listed above are approximate values for an average operative stage, rather than an absolute value. It should be borne in mind that it is possible to introduce so many variables into the measurement operation, such as, type of equipment used for measuring, handling and placement of probes, the accuracy of alignment, etc., that an absolute reading is impractical. AVC is made inoperative by connecting negative (-) 3 volts to the AVC line.

ALIGNMENT INSTRUCTIONS—READ CAREFULLY BEFORE ATTEMPTING ALIGNMENT

Set all controls as follows except where noted otherwise: "Crystal-phasing" to zero, "Sensitivity" at maximum, "Reception" to "AM-MVC", "Selectivity" to "Normal-Sharp", "Volume" at maximum, "CW Pitch" to zero, Tone switch to "High", Standby-Receive switch to "Receive" and Noise Limiter to "Off". Set bandsread tuning cap. fully open at all times with exception of Bands 5 & 6 where it only is used for tuning. Use insulated alignment screwdriver for all adjustments.

10.7 MC IF ALIGNMENT USING AM SIGNAL GENERATOR AND VTVM

DUMMY ANTENNA	SIGNAL GENERATOR COUPLING	SIGNAL GENERATOR FREQUENCY	BAND SWITCH POS.	RADIO DIAL SETTING	CONNECT VTVM	ADJUST	REMARKS
1 Direct	High side to rear stator of center section of bandsread tuning cap.	10.7MC (Dumodu-lated)	Band "L"	50 on logging scale.	DC probe to Point \diamond Common to ground.	A1, A2, A3, A4, A5, A6, A7	Turn reception switch to "FM" and adjust for maximum deflection.
2					DC probe to Point \diamond Common to ground.	A8	Adjust for zero deflection. Continue with AM alignment in Step 6.

10.7 MC IF ALIGNMENT USING FM SIGNAL GENERATOR AND OSCILLOSCOPE

Use freq. modulated signal with 60 \sim modulation and 450KC sweep. Use 120 \sim sawtooth voltage in scope for horizontal deflection.

DUMMY ANTENNA	SIGNAL GENERATOR COUPLING	SIGNAL GENERATOR FREQUENCY	BAND SWITCH POS.	RADIO DIAL SETTING	SCOPE CONNECT	ADJUST	REMARKS
1 .05 MFD.	High side to Pin 4 (grid) of 6SH7 2nd IF Tube (4). Low side to chassis.	10.7MC (Freq. Mod.)	Band "5"	50 on logging scale.	Vertical input in series with .05 MFD. cap. to Point \diamond Low side to chassis.	A2, A3	Turn reception switch to FM and adjust for maximum amplitude, symmetry and coincidence of pattern per Fig. 1.
2 .05 MFD.	High side to Pin 4 (grid) of 6SQ7. Low side to chassis.					A4, A5	
3 .05 MFD.	High side to rear stator of center section of bandsread tuning cap.					A6, A7	
4 .05 MFD.	High side to Pin 4 (grid) of 6SH7 2nd IF Tube (4). Low side to chassis.				Vertical input to Point \diamond Ground to chassis.	A1, A8	Alternately adjust A1 for maximum amplitude and A8 for maximum straightness of crossover lines with crossover occurring at center of pattern per Fig. 2. Continue with AM Alignment in Step 5.

AM IF ALIGNMENT

In Steps 5, 6, 7 and 8 set sig. gen. to exact crystal frequency as follows: Set sig. gen. to approximately 455KC. Turn RFO on and set CW pitch for approximately a 1000 \sim note. Set selectivity control to "Crystal-Sharp" and tune sig. gen. to weakest of the two response frequencies on either side of zero beat. Adjust "Crystal-Phasing" control for minimum audio output. Retune sig. gen. for maximum output on the opposite side of zero beat.

DUMMY ANTENNA	SIGNAL GENERATOR COUPLING	SIGNAL GENERATOR FREQUENCY	BAND SWITCH POS.	RADIO DIAL SETTING	OUTPUT METER	ADJUST	REMARKS
5 Direct	High side to rear stator of center section of tuning cap. Low side to chassis.	455KC (See pre-alignment notes)	Band "4"	50 on logging scale.	Across voice coil	A9, A10, A11, A12, A13	Turn selectivity switch to normal sharp and adjust A9, A10, A11, A12 and A13 for maximum output.
6 Direct						A14	Turn selectivity switch to "Crystal-Broad". Adjust A14 for maximum output.
7 Direct						A15	Turn selectivity switch to "Normal-Sharp". Adjust A15 for maximum output.
8 Direct						A16	Turn reception switch to "CW". Remove CW pitch control knob and adjust A16 for zero beat. Replace knob with zero at index line. Repeat 10.7 MC IF alignment to insure that they have not been detuned in the process of aligning 455KC IF.
9 Direct		10.7MC	Band "5"			A17	Adjust for maximum output. Tune sig. gen. to 11.61MC. If signal is not heard retune sig. gen. to 10.7 MC and adjust A17 counter-clockwise to next peak. Adjust for maximum output and recheck for image. Reassembly receiver in cabinet.

RF ALIGNMENT

RMA Dummy consists of 200 MMFD cap. in series with 20 microhenry choke with choke shunted by a 400 MMFD cap. in series with a 400Ω carbon resistor.

DUMMY ANTENNA	SIGNAL GENERATOR COUPLING	SIGNAL GENERATOR FREQUENCY	BAND SWITCH POS.	RADIO DIAL SETTING	OUTPUT METER	ADJUST	REMARKS	
10	RMA Dummy (see prealignment notes)	High side to ant. terminal "A1". Low side to "A2" with "A2" grounded.	1600KC	Band 1	1600KC	Across voice coil	A18, A19, A20	Adjust for maximum output in order given.
11	"	"	600KC	"	600KC	"	A21	Adjust for maximum output in order given. Repeat Steps 10 & 11 until no further improvement can be made.
12	"	"	4.5MC	Band 2	4.5MC	"	A22, A23, A24	Adjust for maximum output in order given.
13	"	"	2MC	"	2MC	"	A25	Adjust for maximum output in order given. Repeat Steps 12 & 13 until no further improvement can be made.
14	330Ω carbon res.	"	14MC	Band 3	14MC	"	A26	Adjust for maximum output.
15	"	"	"	"	Tune for maximum output.	"	A27, A28	Rock tuning cap. and adjust for maximum output.
16	"	"	6MC	"	6MC	"	A29	Adjust for maximum output.
17	"	"	"	"	Tune for maximum output.	"	A30, A31	Rock tuning cap. and adjust for maximum output. Repeat Steps 14 thru 17 until no further improvement can be made.
18	"	"	14MC	Band 3A	Main tuning dial at 20 meter band marker. Band spread at 14MC.	"	A32	Adjust for maximum output.
19	"	"	14.2MC	"	Main tuning dial at 20 meter band marker. Band spread tuned maximum output.	"	A33, A34	Rock tuning cap. and adjust for maximum output.
20	"	"	36MC	Band 4	36MC	"	A35	Adjust for maximum output. Tune sig. gen. to 35.1MC. If signal is not heard, retune sig. gen. to 36MC and close A35 to next peak. Adjust for maximum output and recheck for image.
21	"	"	"	"	Tune for maximum output.	"	A36, A37	Rock tuning cap. and adjust for maximum output.
22	"	"	18MC	"	18MC	"	A38	Adjust for maximum output.
23	"	"	"	"	Tune for maximum output.	"	A39, A40	Rock tuning cap. and adjust for maximum output. Repeat Steps 20 thru 23 until no further improvement can be made.
24	"	"	54MC	Band 5	54MC (On band-spread dial)	"	A41	Adjust for maximum output.
25	"	"	"	"	Tune for maximum output.	"	A42, A43	Rock tuning cap. and adjust for maximum output.
26	"	"	46MC	"	46MC	"	A44	Adjust for maximum output.
27	"	"	"	"	Tune for maximum output.	"	A45, A46	Rock tuning cap. and adjust for maximum output. Repeat Steps 24 thru 27 until no further improvement can be made.
28	"	"	"	"	44.6MC (See remarks)	"	A17	Tune for fourth harmonic of the second oscillator at approx. 44.6MC. If signal is not heard A17 is adjusted to the image frequency and Step 9 must be repeated.
						CONNECT VTVM		
29	330Ω carbon res.	High side to ant. terminal "A1". Low side to "A2" with "A2" grounded.	106MC	Band 6	106MC	DC probe to Point \diamond . Common to chassis	A47	Adjust for maximum deflection.
30	"	"	"	"	Tune for maximum deflection.	"	A48, A49	Rock tuning cap. and adjust for maximum deflection.
31	"	"	89MC	"	89MC	"	A50	Adjust for maximum deflection.
32	"	"	"	"	Tune for maximum deflection.	"	A51, A52	Rock tuning cap. and adjust for maximum deflection. Repeat Steps 29 thru 32 until no further improvement can be made.

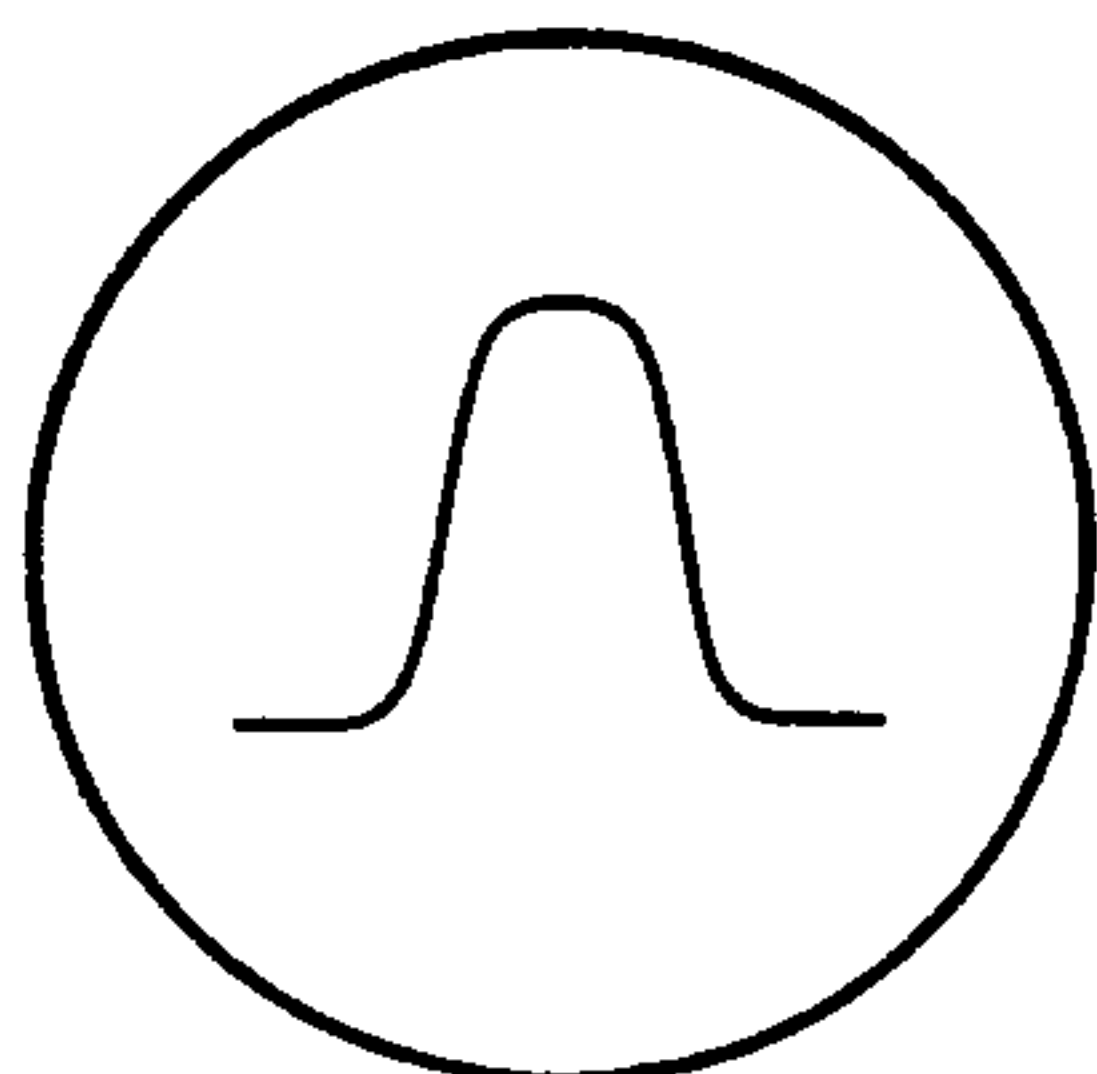


FIG. 1

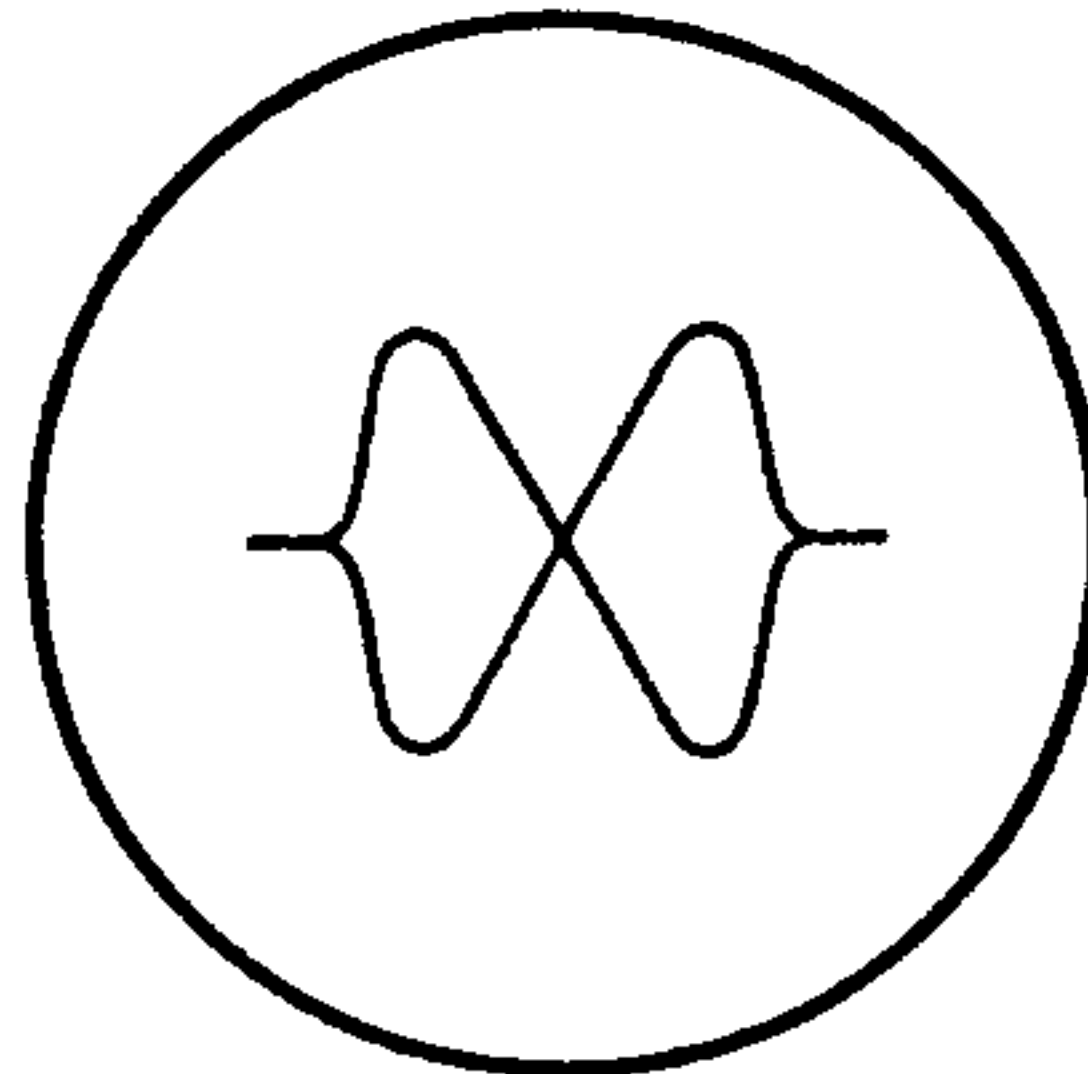


FIG. 2