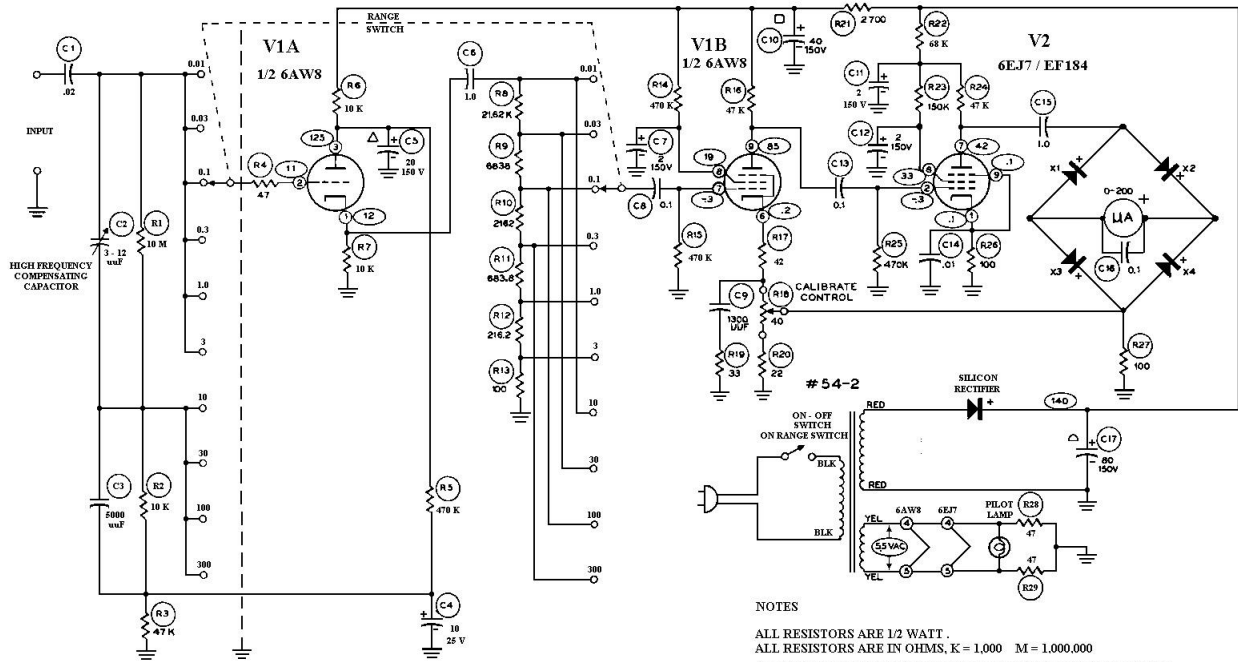


# Heathkit IM-21 AC VTVM



WWW.VINTAGE-RADIO.INFO



AC VACUUM TUBE VOLTMETER  
MODEL IM - 21

## NOTES

ALL RESISTORS ARE 1/2 WATT .  
ALL RESISTORS ARE IN OHMS, K = 1,000 M = 1,000,000  
ALL CAPACITOR VALUES ARE IN uFD, UNLESS SHOWN OTHERWISE

ALL VOLTAGES ARE FROM POINT INDICATED TO CHASSIS GROUND EXCEPT  
A.C. VOLTAGES ON POWER TRANSFORMER WINDINGS. READINGS WERE TAKEN  
WITH AN 11 MEG INPUT V.T.V.M.

VOLTAGES WERE TAKEN WITH INPUT TERMINALS SHORTED AND RANGE  
SWITCH IN 300 VOLT POSITION